

Kika, Get Dressed Up.

design Franziska Hinze
terzani.com

TERZANI
LA LUCE PENSATA



Type |
Suspension

Materials |
Metal

Finishes | Code



White/Stainless Steel
0Q21S L3 C8

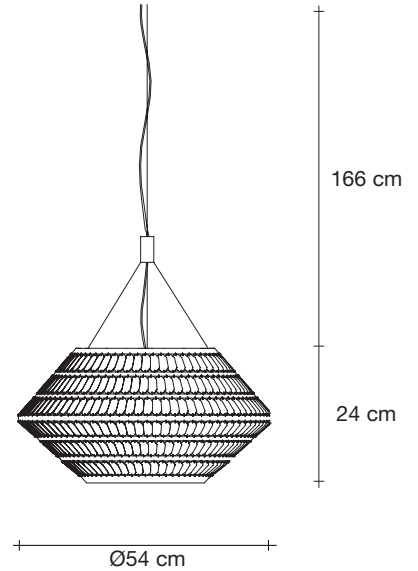


White/Gold
0Q21S M7 C8



Black/Gold
0Q21S M8 C8

Body |



Light Source |
230-240V ~ 50/60Hz

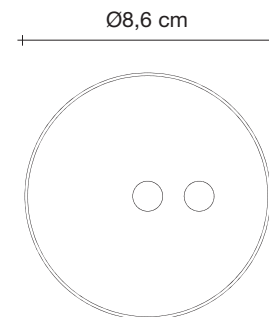


LED globe
8W E27



Dimmable with
all systems

Canopy |



The glamour and allure of the Golden Age of Hollywood drove the inspiration for Terzani's newest pendant, Kika. Incorporating modern technology with new materials, designer Franziska Hinze created a contemporary fixture reflecting this exciting period in cinema. Balancing proportions was also part of the inspiration behind Kika's shape. The light is made of hundreds of photo-etched metal pendants, attached meticulously by hand to metal rings. The final result is similar to that of a fine jewel, floating in the air, and shining in every direction. To enhance the contrast of light, Terzani offers Kika in different color and size variations. Kika is a unique piece that adds vibrancy with a shimmering, suspended light. Design Franziska Hinze.



11



4



76cm x 76cm x 60cm

Kika, Get Dressed Up.

design Franziska Hinze
terzani.com

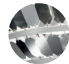


TERZANI
LA LUCE PENSATA



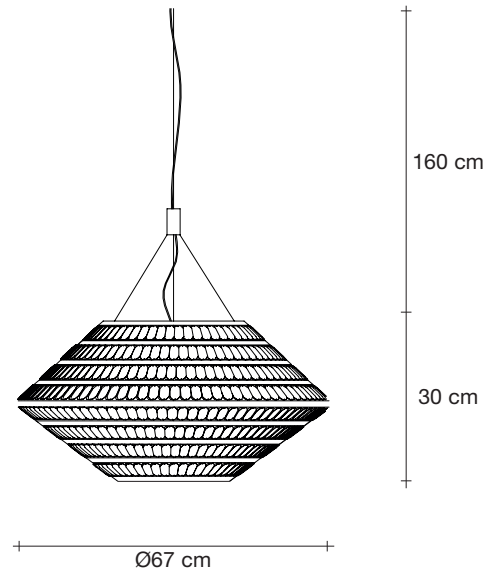
Type |
Suspension

Materials |
Metal



Finishes | Code

-  White/Stainless Steel
0Q20S L3 C8
-  White/Gold
0Q20S M7 C8
-  Black/Gold
0Q20S M8 C8

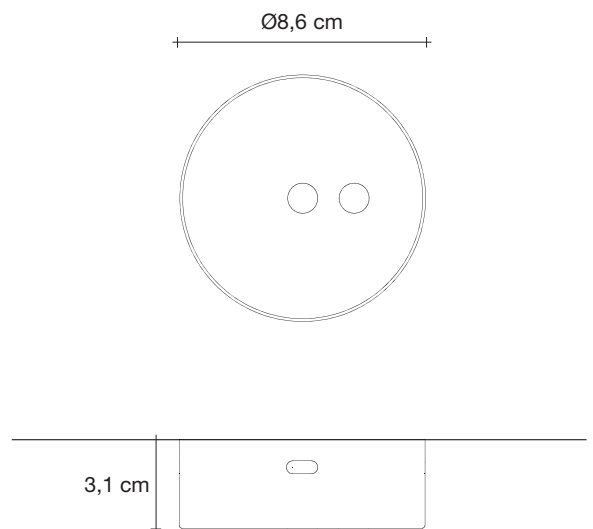
Body |



Light Source |
230-240V ~ 50/60Hz

-  LED globe
8W E27
-  Dimmable with
all systems

Canopy |



The glamour and allure of the Golden Age of Hollywood drove the inspiration for Terzani's newest pendant, Kika. Incorporating modern technology with new materials, designer Franziska Hinze created a contemporary fixture reflecting this exciting period in cinema. Balancing proportions was also part of the inspiration behind Kika's shape. The light is made of hundreds of photo-etched metal pendants, attached meticulously by hand to metal rings. The final result is similar to that of a fine jewel, floating in the air, and shining in every direction. To enhance the contrast of light, Terzani offers Kika in different color and size variations. Kika is a unique piece that adds vibrancy with a shimmering, suspended light. Design Franziska Hinze.



13,6



4,5



76cm x 76cm x 60cm