

Magdalena, Cutting edge *Beauty.*

design Bruno Rainaldi
terzani.com

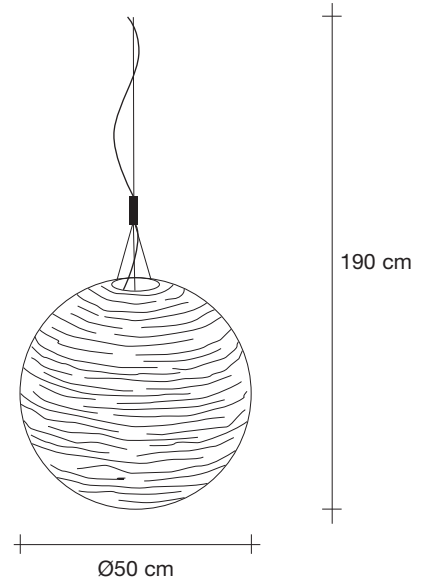


Type |
Suspension
Materials |
Metal




Finishes | Code

-  White
OM61S E8 C8
-  Nickel
OM61S G8 C8
-  Gold leaf
OM61S H5 C8

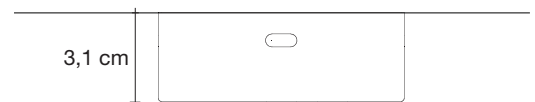
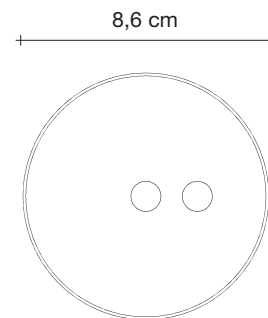
Body |



Light Source |
230-240V ~ 50/60Hz

-  HALOGEN
140W E27
- or**
-  LED
14W E27
-  Dimmable with
all systems

Canopy |



Reaching inside traditional forms, Magdalena's laser-cut, horizontal openings allow for its light to expand its range to the entire room. Creating an alluring pattern of light and shadow, Magdalena highlights the shape of the room itself. This unique exchange creates a pendant that impacts every space, regardless of size. Design Bruno Rainaldi.



12,5



6



60cm x 60cm x 60cm

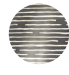

Magdalena, Cutting edge *Beauty.*

design Bruno Rainaldi
terzani.com

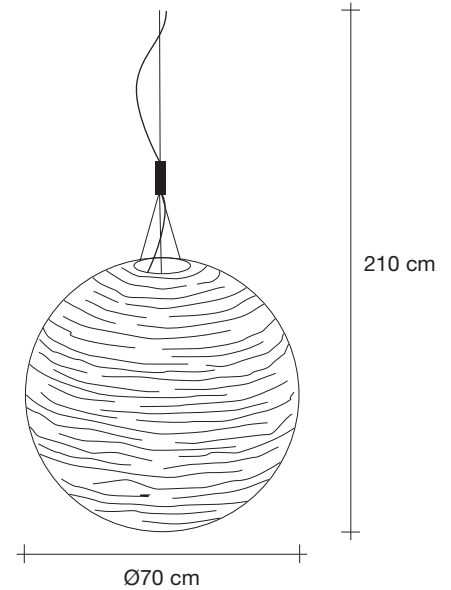


Type |
Suspension
Materials |
Metal




Finishes | Code

-  White
OM62S E8 C8
-  Nickel
OM62S G8 C8
-  Gold leaf
OM62S H5 C8

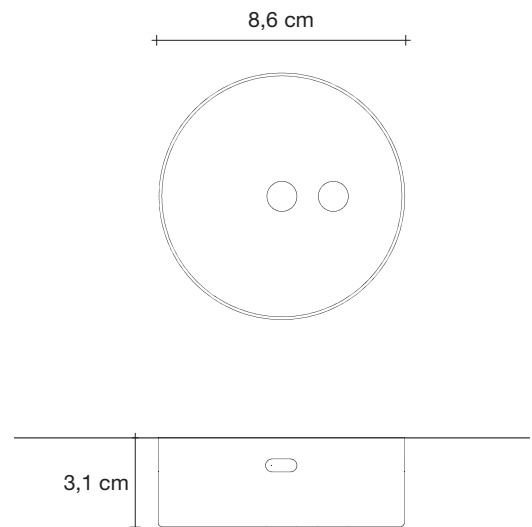
Body |



Light Source |
230-240V ~ 50/60Hz

-  HALOGEN
140W E27
- or
-  LED
14W E27
-  Dimmable with
all systems

Canopy |



Reaching inside traditional forms, Magdalena's laser-cut, horizontal openings allow for its light to expand its range to the entire room. Creating an alluring pattern of light and shadow, Magdalena highlights the shape of the room itself. This unique exchange creates a pendant that impacts every space, regardless of size. Design Bruno Rainaldi.



23



13



76cm x 76cm x 60cm

Magdalena, Cutting edge *Beauty.*

design Bruno Rainaldi
terzani.com



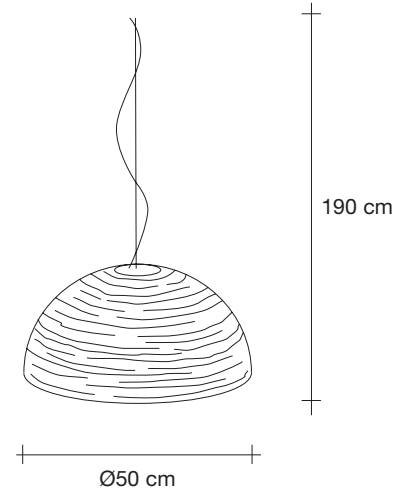
Type |
Suspension

Materials |
Metal




Finishes | Code

-  White
OM65S E8 C8
-  Nickel
OM65S G8 C8
-  Gold leaf
OM65S H5 C8

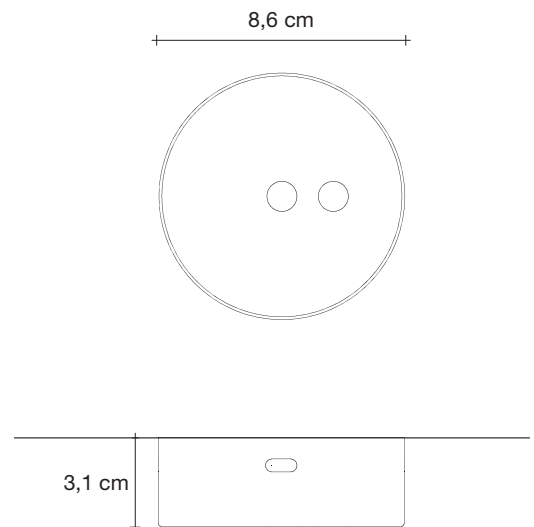
Body |



Light Source |
230-240V ~ 50/60Hz

-  Globe CFL
23W E27
- or**
-  LED
4W E27
-  Not Dimmable

Canopy |



Reaching inside traditional forms, Magdalena's laser-cut, horizontal openings allow for its light to expand its range to the entire room. Creating an alluring pattern of light and shadow, Magdalena highlights the shape of the room itself. This unique exchange creates a pendant that impacts every space, regardless of size. Design Bruno Rainaldi.



8,5



3,7



60cm x 60cm x 60cm


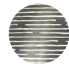

Magdalena, Cutting edge *Beauty.*

design Bruno Rainaldi
terzani.com

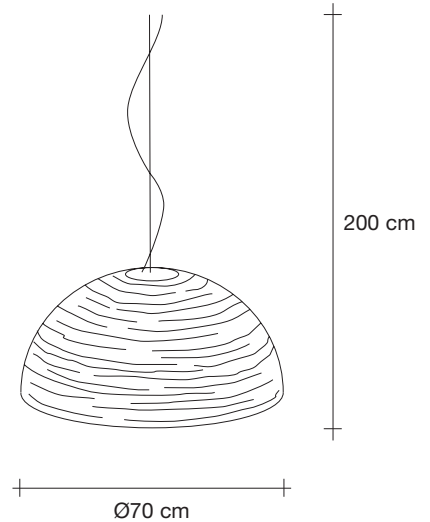


Type |
Suspension
Materials |
Metal



Finishes | Code

-  White
OM66S E8 C8
-  Nickel
OM66S G8 C8
-  Gold leaf
OM66S H5 C8

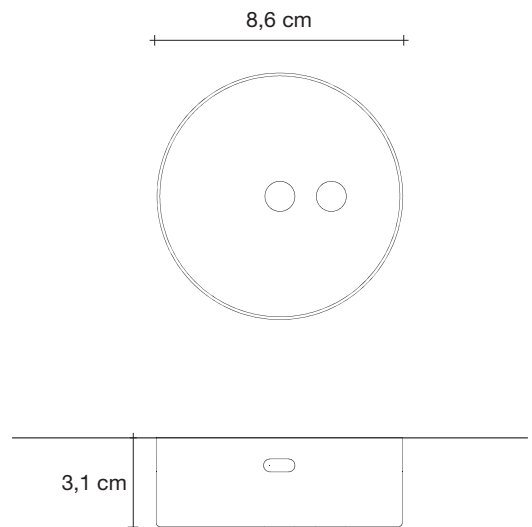
Body |



Light Source |
230-240V ~ 50/60Hz

-  Globe CFL
23W E27
- or**
-  LED
4W E27
-  Not Dimmable

Canopy |



Reaching inside traditional forms, Magdalena's laser-cut, horizontal openings allow for its light to expand its range to the entire room. Creating an alluring pattern of light and shadow, Magdalena highlights the shape of the room itself. This unique exchange creates a pendant that impacts every space, regardless of size. Design Bruno Rainaldi.



15



8

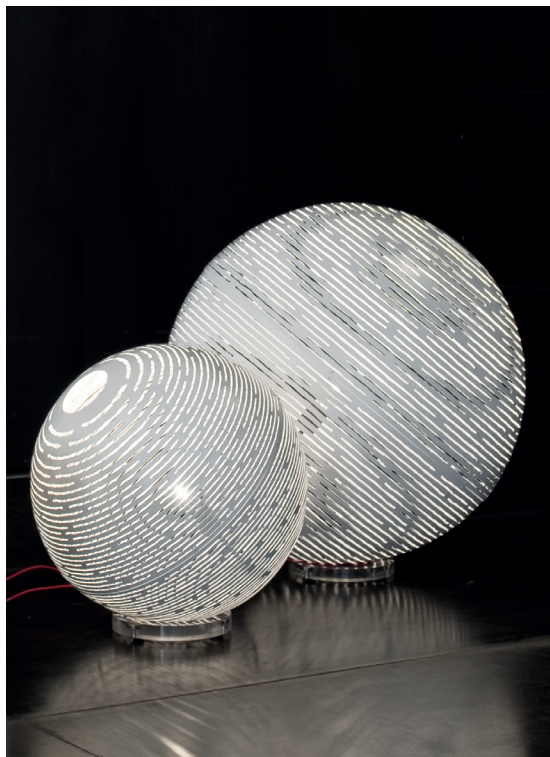


76cm x 76cm x 60cm

Magdalena, Cutting edge *Beauty.*

design Bruno Rainaldi
terzani.com

TERZANI
LA LUCE PENSATA



Type |
Floor lamp

Materials |
Metal

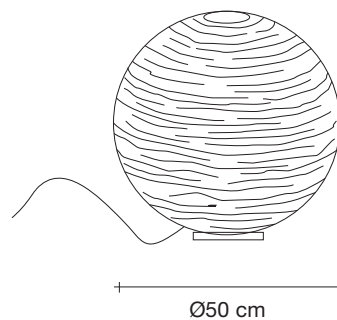
Finishes | Code

 White
OM63P E8 C8

 Nickel
OM63P G8 C8

 Gold leaf
OM63P H5 C8

Body |



Light Source |
230-240V ~ 50/60Hz

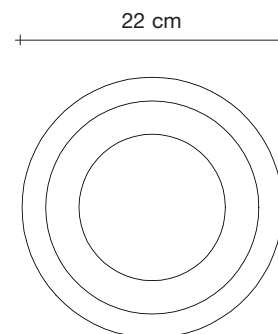
 HALOGEN
140W E27

or

 LED
14W E27

 Integrated dimmer

Base |



Reaching inside traditional forms, Magdalena's laser-cut, horizontal openings allow for its light to expand its range to the entire room. Creating an alluring pattern of light and shadow, Magdalena highlights the shape of the room itself. This unique exchange creates a pendant that impacts every space, regardless of size. Design Bruno Rainaldi.



12,5



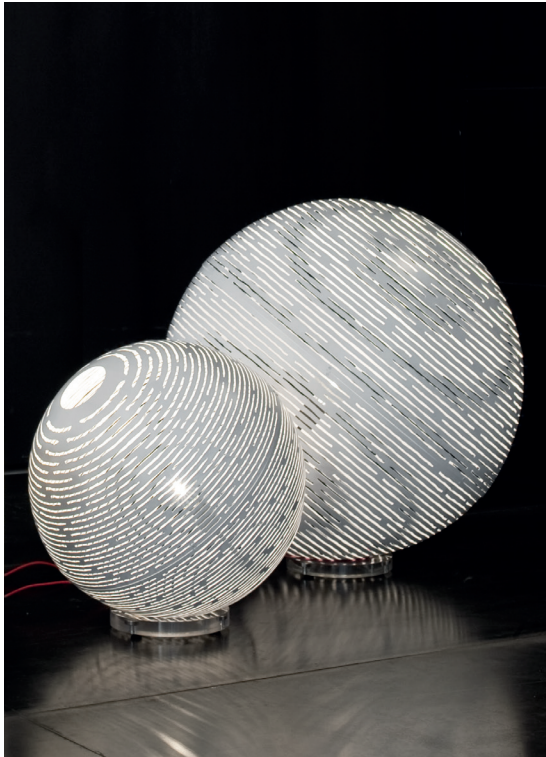
6



60cm x 60cm x 60cm

Magdalena, Cutting edge *Beauty.*

design Bruno Rainaldi
terzani.com



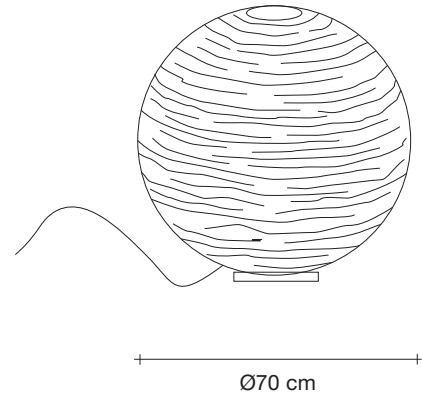
Type |
Floor lamp

Materials |
Metal




Finishes | Code

-  White
OM64P E8 C8
-  Nickel
OM64P G8 C8
-  Gold leaf
OM64P H5 C8

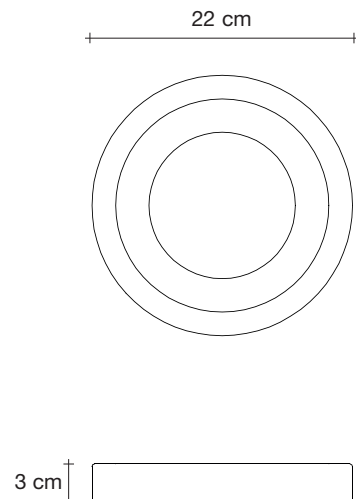
Body |



Light Source |
230-240V ~ 50/60Hz

-  HALOGEN
140W E27
- or
-  LED
14W E27
-  Integrated dimmer

Base |



Reaching inside traditional forms, Magdalena's laser-cut, horizontal openings allow for its light to expand its range to the entire room. Creating an alluring pattern of light and shadow, Magdalena highlights the shape of the room itself. This unique exchange creates a pendant that impacts every space, regardless of size. Design Bruno Rainaldi.



17



13



76cm x 76cm x 60cm