

Manta, Shimmering Waves.

design Dodo Arslan & Nicolas Terzani
terzani.com



Type |
Pendant

Materials |
Clear crystal

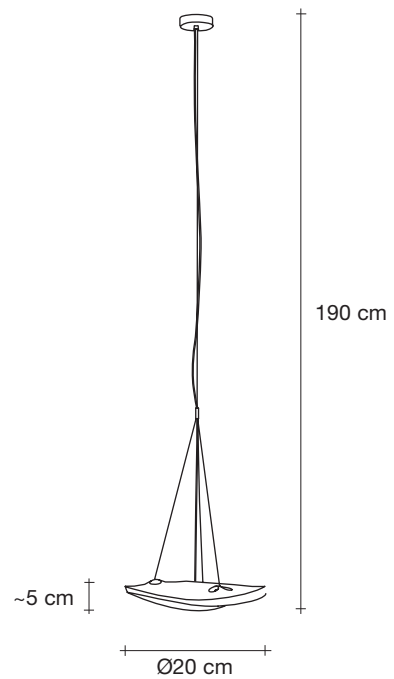
Finishes | Code



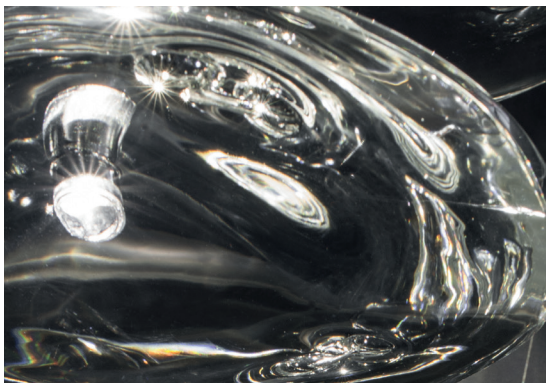
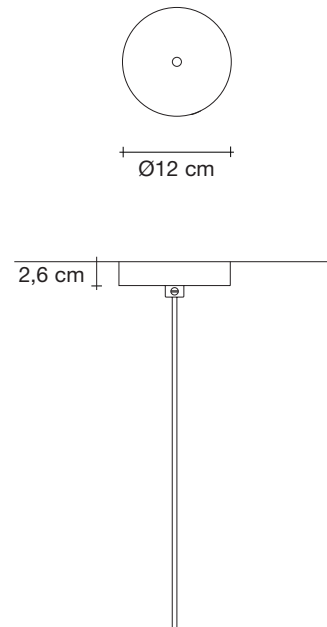
Clear
OK011 E8 A9

White canopy

Body |



Canopy |



Light Source |
230-240V ~ 50/60Hz



LED integrated
1,5W
105 lm



Not Dimmable

Manta is the latest design featuring the distinctive lead crystal first unveiled in Nicolas Terzani's best-selling Mizu. Collaborating with designer Dodo Arslan, the two imaginative minds created a light featuring sinuous, undulating lines. The results are soft waves of crystal light reminiscent of being underwater. The innovative Manta is made of crystal, with a dimmable integrated LED lamp focused on maximizing the crystal's reflection. Manta's organic form is available in three sizes (Ø 20cm-7.9", Ø 26cm-10.2", Ø 32cm-12.6") and can be installed in numerous, customizable arrangements. Design Dodo Arslan & Nicolas Terzani.



2,8



2,2



32cm x 24cm x 17cm

Manta, Shimmering Waves.

design Dodo Arslan & Nicolas Terzani
terzani.com



Type |
Pendant

Materials |
Clear crystal

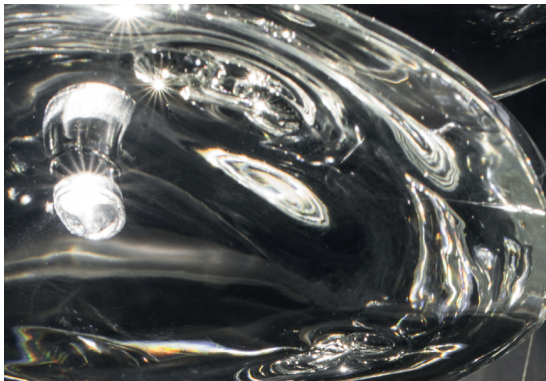
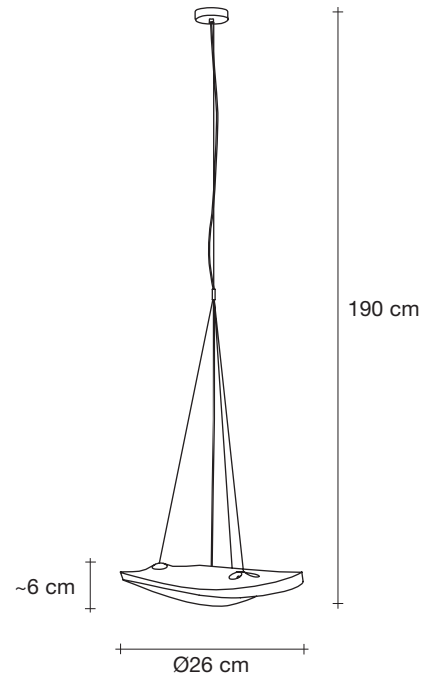
Finishes | Code



Clear
OK012 E8 A9

White canopy

Body |



Light Source |
230-240V ~ 50/60Hz

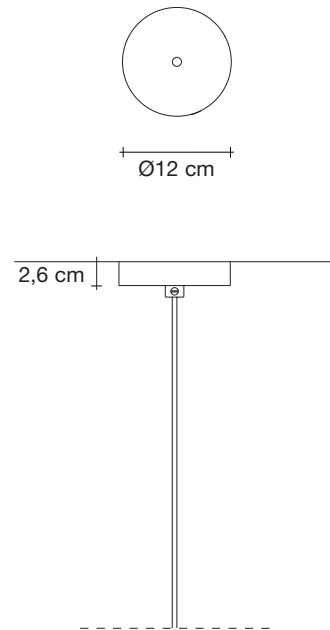


LED integrated
1,5W
105 lm



Not Dimmable

Canopy |



Manta is the latest design featuring the distinctive lead crystal first unveiled in Nicolas Terzani's best-selling Mizu. Collaborating with designer Dodo Arslan, the two imaginative minds created a light featuring sinuous, undulating lines. The results are soft waves of crystal light reminiscent of being underwater. The innovative Manta is made of crystal, with a dimmable integrated LED lamp focused on maximizing the crystal's reflection. Manta's organic form is available in three sizes (Ø 20cm-7.9", Ø 26cm-10.2", Ø 32cm-12.6") and can be installed in numerous, customizable arrangements. Design Dodo Arslan & Nicolas Terzani.



5,2



4,2



43cm x 38cm x 17,5cm

Manta, Shimmering Waves.

design Dodo Arslan & Nicolas Terzani
terzani.com

TERZANI
LA LUCE PENSATA



Type |
Pendant

Materials |
Clear crystal

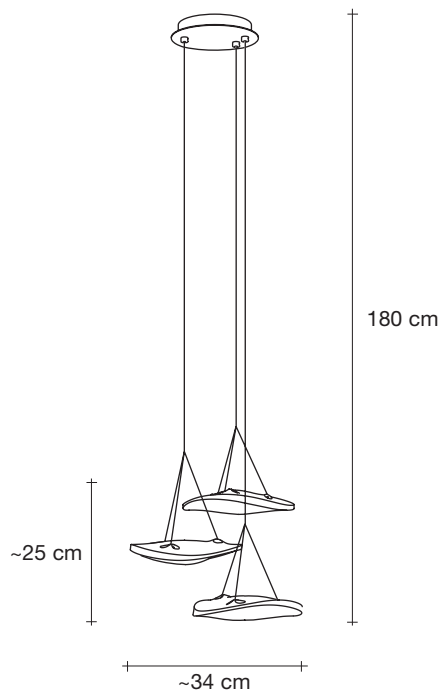
Finishes | Code



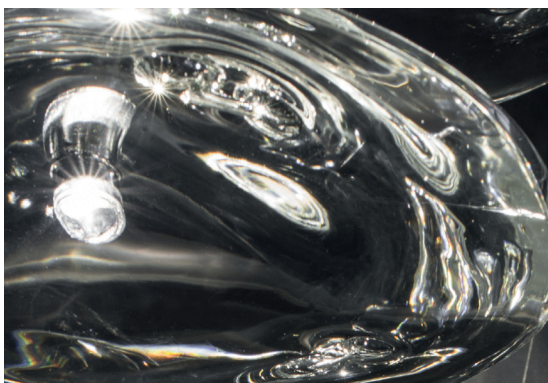
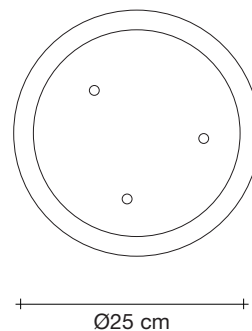
Clear
OK031 E8 A9

White canopy

Body |



Canopy |



Light Source |

230-240V ~ 50/60Hz

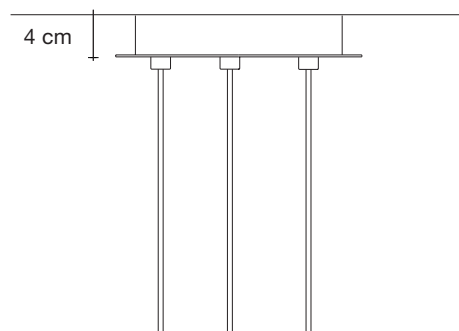


LED integrated
3 x 1,5W
320 lm



Dimmable with 1-10V
and Dali systems only

Manta is the latest design featuring the distinctive lead crystal first unveiled in Nicolas Terzani's best-selling Mizu. Collaborating with designer Dodo Arslan, the two imaginative minds created a light featuring sinuous, undulating lines. The results are soft waves of crystal light reminiscent of being underwater. The innovative Manta is made of crystal, with a dimmable integrated LED lamp focused on maximizing the crystal's reflection. Manta's organic form is available in three sizes (Ø 20cm-7.9", Ø 26cm-10.2", Ø 32cm-12.6") and can be installed in numerous, customizable arrangements. Design Dodo Arslan & Nicolas Terzani.



8,4



7



47,5cm x 31,5cm x 27,5cm