

Orten'zia, Petals of *Light*.


design Bruno Rainaldi
terzani.com




Type |
Pendant

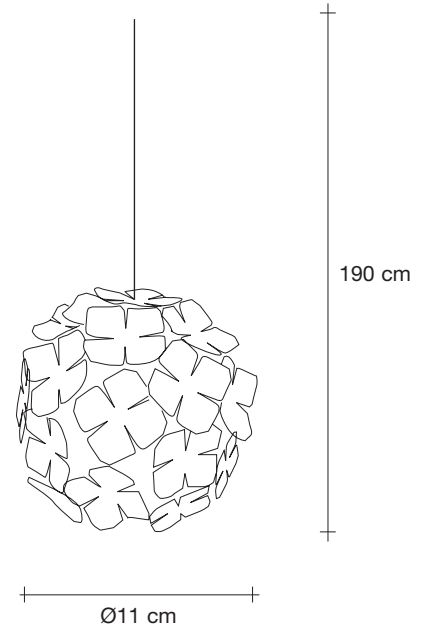
Materials |
Metal

Finishes | Code

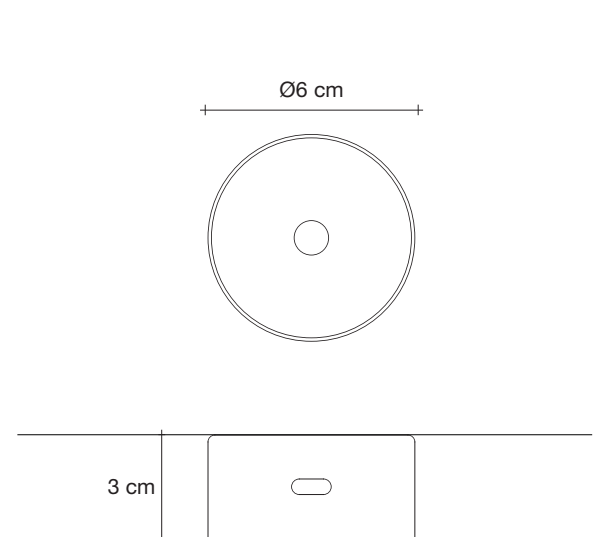
 Nickel
OM47S E7 C8

 Gold
OM47S H8 C8

Body |



Canopy |




Light Source |
230-240V ~ 50/60Hz

 HALOGEN
48W G9

or

 LED
4W G9

 Dimmable with
all systems

Recalling the natural beauty of a flower, Orten'zia hand-soldered "petals" emanate a unique glow, immersing the entire room in a glimmering light. An organic radiance is created through light and shadow, planting a garden within the room. Available in either nickel or gold plated, the orten'zia's elegant form complements its dramatic light. Design Bruno Rainaldi.



20cm x 20cm x 20cm

Orten'zia, Petals of *Light*.


design Bruno Rainaldi
terzani.com



Type |
Pendant

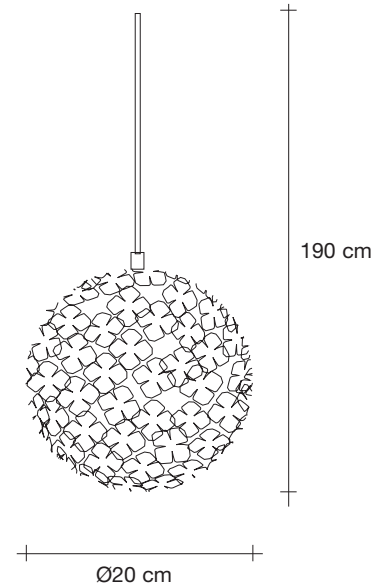
Materials |
Metal

Finishes | Code

 Nickel
OM40S E7 C8

 Gold
OM40S H8 C8

Body |




Light Source |
230-240V ~ 50/60Hz

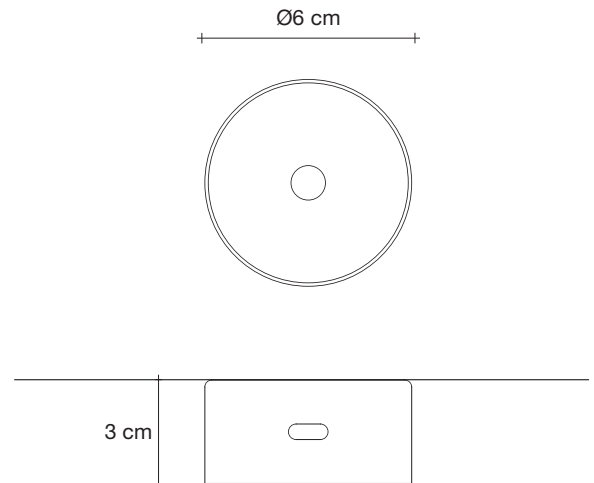
 HALOGEN
42W E14

or

 LED
4W E14

 Dimmable with
all systems

Canopy |



Recalling the natural beauty of a flower, Orten'zia hand-soldered "petals" emanate a unique glow, immersing the entire room in a glimmering light. An organic radiance is created through light and shadow, planting a garden within the room. Available in either nickel or gold plated, the orten'zia's elegant form complements its dramatic light. Design Bruno Rainaldi.



30cm x 30cm x 30cm

Orten'zia, Petals of *Light*.

design Bruno Rainaldi
terzani.com


TERZANI
LA LUCE PENSATA




Type |
Suspension

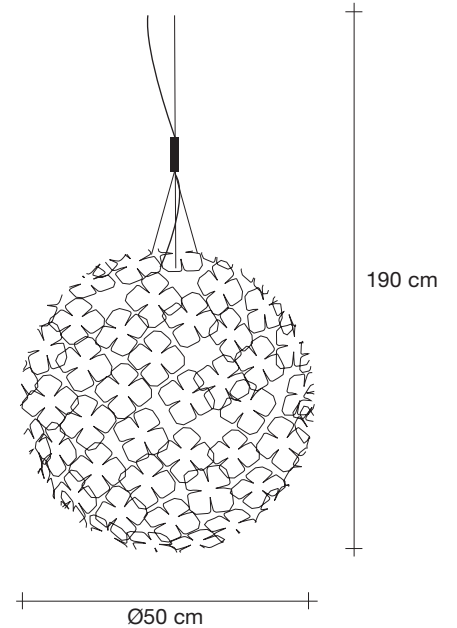
Materials |
Metal

Finishes | Code

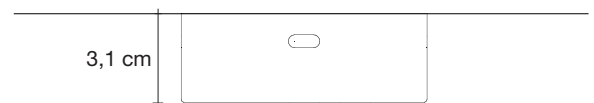
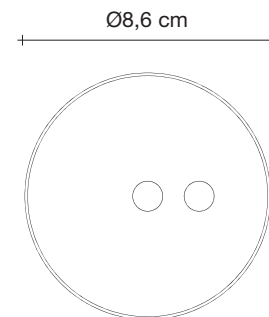
 Nickel
OM46S E7 C8

 Gold
OM46S H8 C8

Body |



Canopy |




Light Source |
230-240V ~ 50/60Hz

 HALOGEN
140W E27

or

 LED
14W E27

 Dimmable with
all systems

Recalling the natural beauty of a flower, Orten'zia hand-soldered "petals" emanate a unique glow, immersing the entire room in a glimmering light. An organic radiance is created through light and shadow, planting a garden within the room. Available in either nickel or gold plated, the orten'zia's elegant form complements its dramatic light. Design Bruno Rainaldi.



60cm x 60cm x 60cm

Orten'zia, Petals of *Light*.


design Bruno Rainaldi
terzani.com




Type |
Suspension

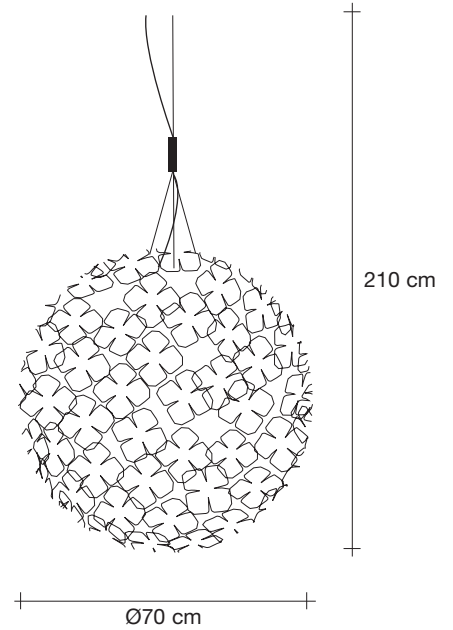
Materials |
Metal

Finishes | Code

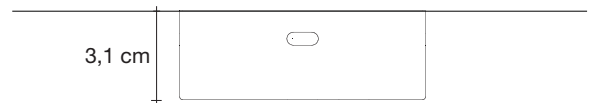
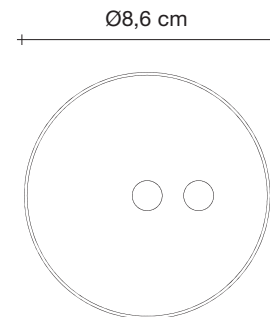
 Nickel
OM51S E7 C8

 Gold
OM51S H8 C8

Body |



Canopy |




Light Source |
230-240V ~ 50/60Hz

 HALOGEN
140W E27

or

 LED
14W E27

 Dimmable with
all systems

Recalling the natural beauty of a flower, Orten'zia hand-soldered "petals" emanate a unique glow, immersing the entire room in a glimmering light. An organic radiance is created through light and shadow, planting a garden within the room. Available in either nickel or gold plated, the orten'zia's elegant form complements its dramatic light. Design Bruno Rainaldi.



21



11



83cm x 78cm x 95cm

Orten'zia, Petals of *Light*.

design Bruno Rainaldi
terzani.com

TERZANI
LA LUCE PENSATA




Type |
Suspension

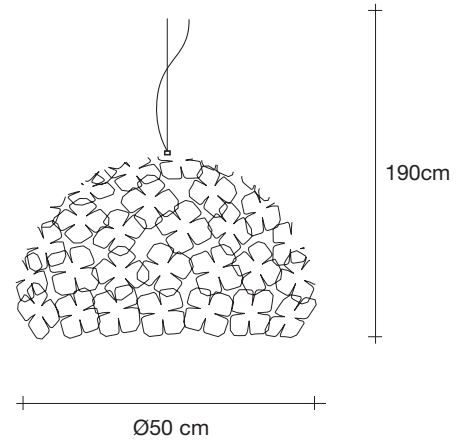
Materials |
Metal

Finishes | Code

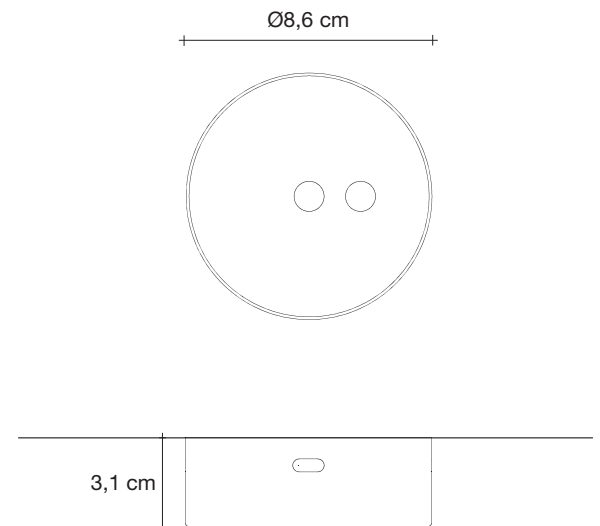
 Nickel
OM81S E7 C8

 Gold
OM81S H8 C8

Body |



Canopy |



Light Source |
230-240V ~ 50/60Hz

 Globe CFL
23W E27

or

 LED
4W E27

 Not Dimmable

Recalling the natural beauty of a flower, Orten'zia hand-soldered "petals" emanate a unique glow, immersing the entire room in a glimmering light. An organic radiance is created through light and shadow, planting a garden within the room. Available in either nickel or gold plated, the orten'zia's elegant form complements its dramatic light. Design Bruno Rainaldi.



10



4,5



60cm x 60cm x 60cm