

Soscik, Classic form, *Modern look.*

design Nicolas Terzani
terzani.com






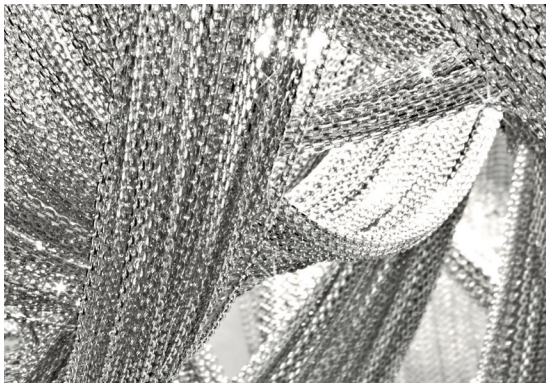
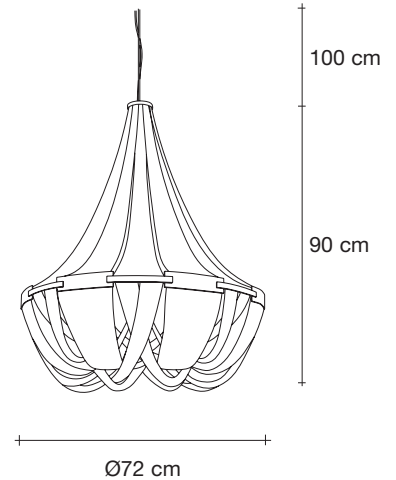
Body |

Type |
suspension

Materials |
metal

Finishes | Code

-  Nickel
OG55S H4 C8
-  Bronze
OG55S F7 C8
-  Gold
OG55S L8 C8




Light Source |
230-240V ~ 50/60Hz

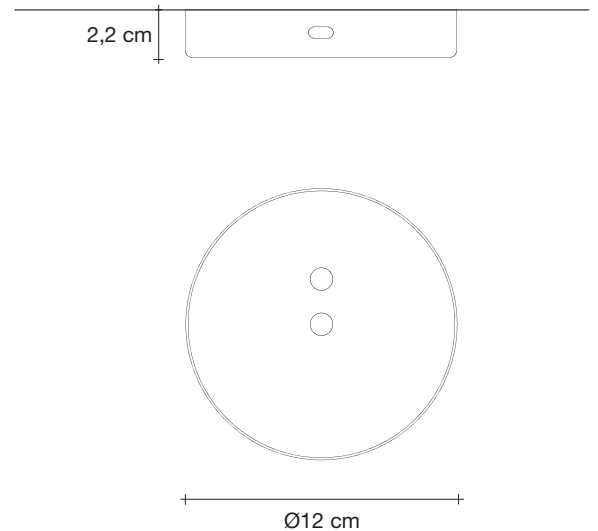
 HALOGEN
8 x 33W G9

or

 LED
8 x 3W G9

 Dimmable with
all systems

Canopy |



Reinventing the classics. With Soscik, Terzani combines traditional, artisan techniques with cutting edge technology to give the traditional chandelier a modern update. Created by interlacing metal chain over a nickel-plated frame, Soscik creates a dramatic and romantic effect, while still being able to compliment today's modern luxury. Available as a chandelier or a ceiling lamp, soscik proves that modern design does not have to sacrifice luxury. Design Nicolas Terzani.



36



20



83cm x 78cm x 95cm

Soscik, Classic form, *Modern look.*

design Nicolas Terzani
terzani.com






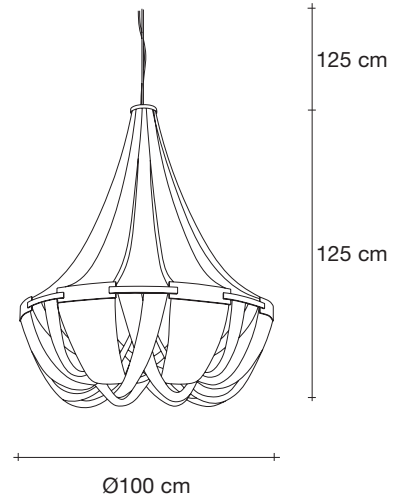
Body |

Type |
suspension

Materials |
metal

Finishes | Code

-  Nickel
OG56S H4 C8
-  Bronze
OG56S F7 C8
-  Gold
OG56S L8 C8




Light Source |
230-240V ~ 50/60Hz

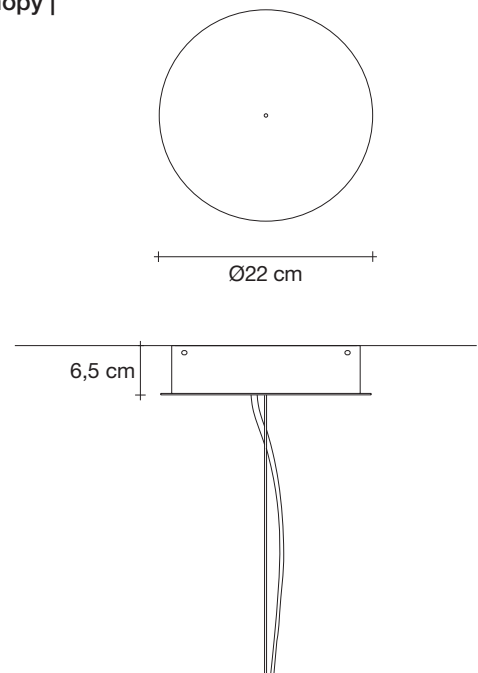
 HALOGEN
12 x 33W G9

or

 LED
12 x 3W G9

 Dimmable with
all systems

Canopy |



Reinventing the classics. With Soscik, Terzani combines traditional, artisan techniques with cutting edge technology to give the traditional chandelier a modern update. Created by interlacing metal chain over a nickel-plated frame, Soscik creates a dramatic and romantic effect, while still being able to compliment today's modern luxury. Available as a chandelier or a ceiling lamp, soscik proves that modern design does not have to sacrifice luxury. Design Nicolas Terzani.



155



65



120cm x 120cm x 185cm

Soscik, Classic form, *Modern look.*




design Nicolas Terzani
terzani.com



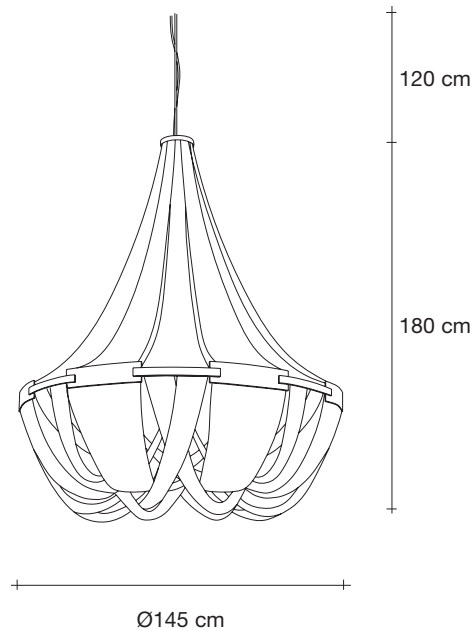
Type |
suspension

Materials |
metal

Finishes | Code

-  Nickel
OG57S H4 C8
-  Bronze
OG57S F7 C8
-  Gold
OG57S L8 C8

Body |




Light Source |

230-240V ~ 50/60Hz

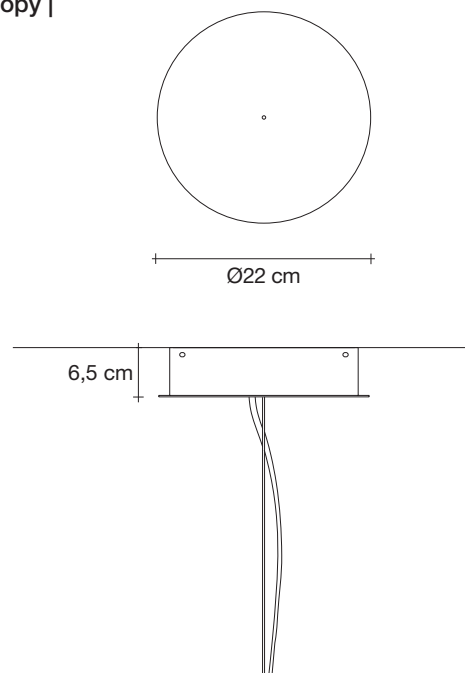
 HALOGEN
14 x 33W G9

or

 LED
14 x 3W G9

 Dimmable with
all systems

Canopy |



Reinventing the classics. With Soscik, Terzani combines traditional, artisan techniques with cutting edge technology to give the traditional chandelier a modern update. Created by interlacing metal chain over a nickel-plated frame, Soscik creates a dramatic and romantic effect, while still being able to compliment today's modern luxury. Available as a chandelier or a ceiling lamp, soscik proves that modern design does not have to sacrifice luxury. Design Nicolas Terzani.



387



133



185cm x 185cm x 225cm