

Stream, Iridescent *Light.*

design Christian Lava
terzani.com

TERZANI
LA LUCE PENSATA



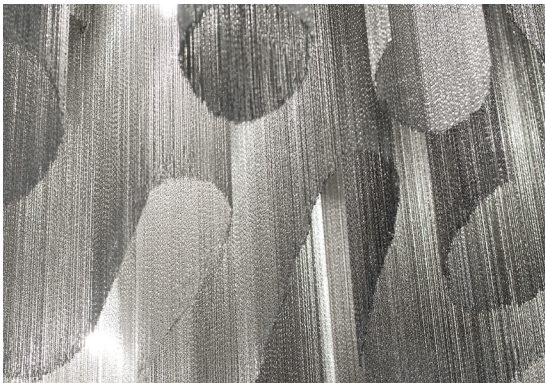
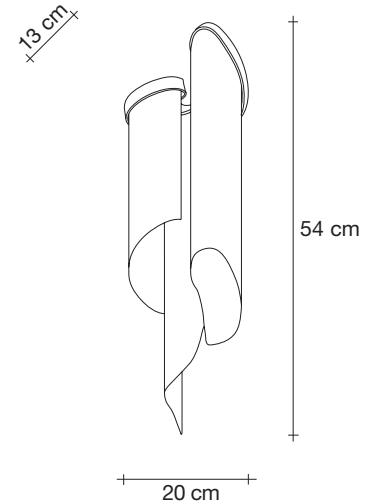
Type |
Wall sconce

Materials |
Metal



Finishes | Code

-  Nickel
OJ60A E7 C8
-  Black Nickel
OJ60A E9 C8
-  Gold
OJ60A L6 C8

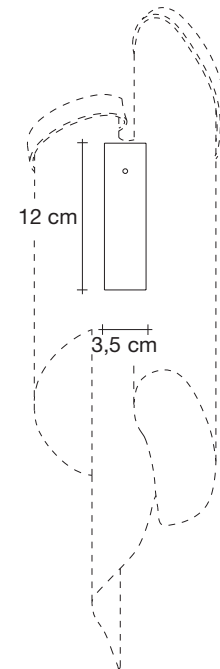
Body |



Light Source |
230-240V ~ 50/60Hz

-  LED
2 x 6W E14
-  Dimmable with
all systems

Canopy |



A stunning design from Christian Lava, Stream is an impressive presence in any room. Stream's design exploits the physical characteristics of the materials used to envelop a room in a unique, immersive light. Here, over 7 kilometers of metal chain appear to flow down from the undulating, nickel plated frame. These cascading tiers project a streaking, yet tranquil, shadow throughout the room. Design Christian Lava.



42cm x 24cm x 20cm