

# TECHNICAL DATA SHEET

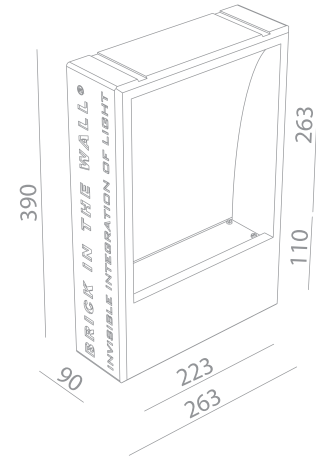
## BIG IP54

BATHROOM - STANZA DA BAGNO - BADEZIMMER - BADKAMER - SALLE DE BAINS - CUARTO DE BAÑO

Fix (not adjustable) 0° - 0°

□ 268x395 mm

Material : CALCYT® plaster

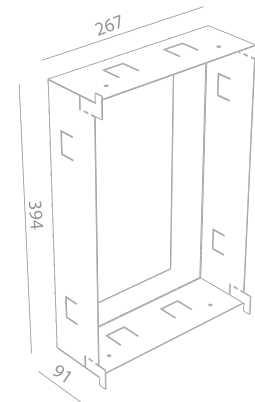


BIG LED 800LM 230VAC			
REF N°	2200°K	2700°K	3000°K
phase DIM	104 71 501	104 71 001	104 71 101
230V/50Hz - 9,3W - incl. line voltage driver ◇ - parallel wiring ▽ ⏏ 0.2m Ⅲ E CE - P - 2 Step MacAdam - CRI 90 - R9=75 - A			

BIG LED 1200LM REMOTE DRIVER			
REF N°	2200°K	2700°K	3000°K
excl. driver	104 28 501	104 28 001	104 28 101
230V/50Hz - 14W - excl. driver - 500 mA ◇ - parallel wiring ▽ ⏏ 0.2m Ⅲ E CE - P - 2 Step MacAdam - CRI 90 - R9=75 - A			

Ready for installation in solid walls  
 Optional plasterkit for installation into gypsum walls

**PLASTERKIT BIG**  
 REF N° 704 01 000 For mounting into gypsum walls



# TECHNICAL DATA SHEET

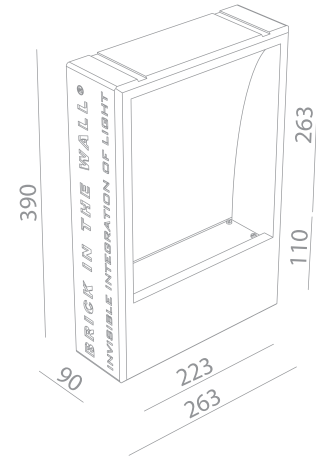
## BIG IP54

OUTDOOR - ESTERNO - AUßENBEREICH - EXTERIEUR - EXTÉRIEUR - EXTERIOR

Fix (not adjustable) 0° - 0°

□ 268x395 mm

Material : waterproof CALCYT+®

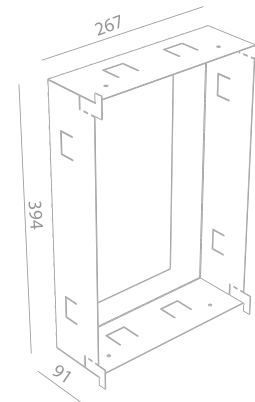


BIG LED 800LM 230VAC			
REF N°	2200°K	2700°K	3000°K
phase DIM	104 71 505	104 71 005	104 71 105
230V/50Hz - 9,3W - incl. line voltage driver ◇ - parallel wiring ▽ 0.2m E-CE-Ⓟ - 2 Step MacAdam - CRI 90 - R9=75 - A			

BIG LED 1200LM REMOTE DRIVER			
REF N°	2200°K	2700°K	3000°K
excl. driver	104 28 505	104 28 005	104 28 105
230V/50Hz - 14W - excl. driver - 500 mA ◇ - parallel wiring ▽ 0.2m E-CE-Ⓟ - 2 Step MacAdam - CRI 90 - R9=75 - A			

Ready for installation in solid walls  
 Optional plasterkit for installation into gypsum walls

**PLASTERKIT BIG**  
 REF N° 704 01 000 For mounting into gypsum walls



# TECHNICAL DATA SHEET

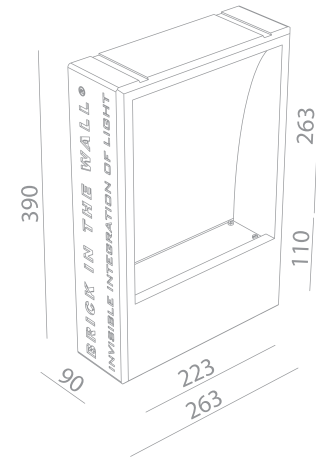
## BIG IP20

INDOOR - INTERNO - INNENBEREICH - INTERIEUR - INTÉRIEUR - INTERIOR

Fix (not adjustable) 0° - 0°

□ 268x395 mm

Material : CALCYT® plaster



BIG LED WARMDIM 900LM 230VAC	
WARMDIM : DIMS FROM 3000°K TO 2000°K	
REF N° 104 73 600	phase DIM
REF N° 104 63 600	DIM 1-10V
REF N° 104 33 600	DIM DALI
230V/50Hz - 12,8W - incl. line voltage driver ◇ - parallel wiring ▽ (0.2m) E-CE-Ⓟ - 4 Step MacAdam - CRI 90 - B➤	

BIG LED 1200LM 230VAC			
REF N°	2200°K	2700°K	3000°K
phase DIM	104 72 500	104 72 000	104 72 100
DIM 1-10V	104 62 500	104 62 000	104 62 100
DIM DALI	104 32 500	104 32 000	104 32 100
230V/50Hz - 14W - incl. line voltage driver ◇ - parallel wiring ▽ (0.2m) E-CE-Ⓟ - 2 Step MacAdam - CRI 90 - R9=75 - A➤			

BIG LED 1500LM 230VAC			
REF N°	2700°K	3000°K	4000°K
phase DIM	104 73 000	104 73 100	104 73 200
DIM 1-10V	104 63 000	104 63 100	104 63 200
DIM DALI	104 33 000	104 33 100	104 33 200
230V/50Hz - 9,6W - incl. line voltage driver ◇ - parallel wiring ▽ (0.2m) E-CE-Ⓟ - 2 Step MacAdam - CRI 80 - A➤			

BIG LED 2000LM 230VAC			
REF N°	2700°K	3000°K	4000°K
phase DIM	104 74 000	104 74 100	104 74 200
DIM 1-10V	104 64 000	104 64 100	104 64 200
DIM DALI	104 34 000	104 34 100	104 34 200
230V/50Hz - 14,1W - incl. line voltage driver ◇ - parallel wiring ▽ (0.2m) E-CE-Ⓟ - 2 Step MacAdam - CRI 80 - A+➤			

BIG HAL	
REF N° 104 01 100	
QT-DE - max 100 W - R7s (74.5mm) 230V/50Hz - ◇ - ▽ (0.5m) E-CE-Ⓟ - D➤	

BIG FLUO	
REF N° 104 01 026	
TC-DEL 26W - G24q-3 - 230V/50Hz ◇ - incl. EVG - ▽ (0.5m) E-CE-Ⓟ	

Ready for installation in solid walls  
Optional plasterkit for installation into gypsum walls

**PLASTERKIT BIG**  
REF N° 704 01 000 For mounting into gypsum walls

