

TECHNICAL DATA SHEET

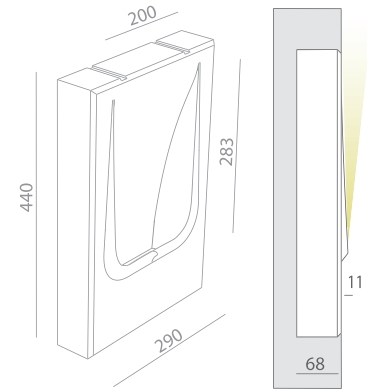
MOVE OUT IP20

INDOOR - INTERNO - INNENBEREICH - INTERIEUR - INTÉRIEUR - INTERIOR

Fix (not adjustable) 0° - 0°

☐ 295x445 mm

Material : CALCYT® plaster



MOVE OUT LED WARMDIM 500LM 230VAC	
WARMDIM : DIMS FROM 3000°K TO 2000°K	
REF N° 121 71 600	phase DIM
REF N° 121 61 600	DIM 1-10V
REF N° 121 31 600	DIM DALI
230V/50Hz - 6,0W - incl. line voltage driver ◊ - parallel wiring ▽ - 0.2m - E - CE - P - 4 Step MacAdam - CRI 80 - B	

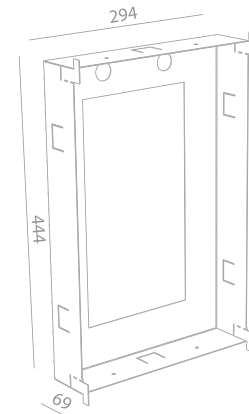
MOVE OUT LED 1000LM 230 VAC			
REF N°	2700°K	3000°K	4000°K
phase DIM	121 73 000	121 73 100	121 73 200
DIM 1-10V	121 63 000	121 63 100	121 63 200
DIM DALI	121 33 000	121 33 100	121 33 200
230V/50Hz - 6,8W - incl. line voltage LEDdriver 1000lm@85°C - E - CE - IP20 parallel wiring ▽ - 0.2m - 850°C P - 2 SDCM - 2 Step MacAdam - CRI 80 - A			

MOVE OUT HAL	
REF N° 121 01 040	
QT14 - max 40W - G9 230V/50Hz ◊ - ▽ - 0.5m - E - CE IP20 - 850°C dimmable - P - D	

MOVE OUT LED 600LM 230 VAC			
REF N°	2200°K	2700°K	3000°K
phase DIM	121 71 500	121 71 000	121 71 100
DIM 1-10V	121 61 500	121 61 000	121 61 100
DIM DALI	121 31 500	121 31 000	121 31 100
230V/50Hz - 6,5W - incl. line voltage LEDdriver 600lm@85°C - 700lm@25°C - E - CE - IP20 parallel wiring ▽ - 0.2m - 850°C P - 2 SDCM - 2 Step MacAdam - CRI 90 - A			

Ready for installation in solid walls
Optional plasterkit for installation into gypsum walls

PLASTERKIT MOVE OUT
REF N° 721 01 000 For mounting into gypsum walls
Housing: perforated aluminium





TECHNICAL DATA SHEET

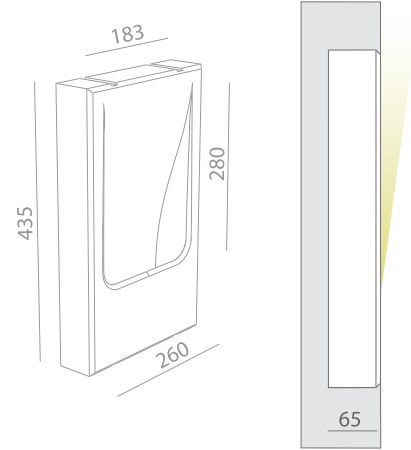
MOVE IN IP20

INDOOR - INTERNO - INNENBEREICH - INTERIEUR - INTÉRIEUR - INTERIOR

Fix (not adjustable) 0° - 0°

□ 265x440 mm

Material : CALCYT® plaster



MOVE IN LED WARMDIM 500LM 230VAC

WARMDIM : DIMS FROM 3000°K TO 2000°K

REF N° 122 71 600 phase DIM

REF N° 122 61 600 DIM 1-10V

REF N° 122 31 600 DIM DALI

230V/50Hz - 6,0W - incl. line voltage driver
 ◊ - parallel wiring ▽ □ 0.2m ■ E - CE - P -
 4 Step MacAdam - CRI 80 - B

MOVE IN LED 1000LM 230 VAC

REF N°	2700°K	3000°K	4000°K
phase DIM	122 73 000	122 73 100	122 73 200
DIM 1-10V	122 63 000	122 63 100	122 63 200
DIM DALI	122 33 000	122 33 100	122 33 200

230V/50Hz - 6,8W - incl. line voltage LEDdriver
 1000lm@85°C - E - CE - IP20
 parallel wiring ▽ □ 0.2m ■ - 850°C P □
 2 SDCM - 2 Step MacAdam - CRI 80 - A+

MOVE IN HAL

REF N° 122 01 040

QT14 - max 40W - G9
 230V/50Hz ◊ - ▽ □ 0.5m ■ E - CE
 IP20 - 850°C dimmable - P - D

MOVE IN LED 600LM 230 VAC

REF N°	2200°K	2700°K	3000°K
phase DIM	122 71 500	122 71 000	122 71 100
DIM 1-10V	122 61 500	122 61 000	122 61 100
DIM DALI	122 31 500	122 31 000	122 31 100

230V/50Hz - 6,5W - incl. line voltage LEDdriver
 600lm@85°C - 700lm@25°C - E - CE - IP20
 parallel wiring ▽ □ 0.2m ■ - 850°C P □
 2 SDCM - 2 Step MacAdam - CRI 90 - A

Ready for installation in solid walls
 Optional plasterkit for installation into gypsum walls

PLASTERKIT MOVE IN
REF N° 722 01 000 For mounting into gypsum walls
 Housing: perforated aluminium

