

TECHNICAL DATA SHEET

ONYX M MONO IP20

INDOOR - INTERNO - INNENBEREICH - INTERIEUR - INTÉRIEUR - INTERIOR

Fix (not adjustable) 0° - 0°

Surface mounted

Material : CALCYT® plaster

ONYX M MONO LED WARMDIM 900LM 230VAC

WARMDIM : DIMS FROM 3000°K TO 2000°K

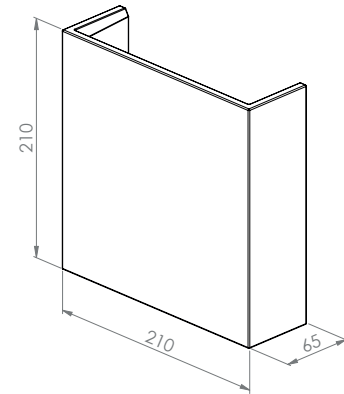
REF N° 170 73 600 phase DIM

REF N° 170 63 600 DIM 1-10V

REF N° 170 33 600 DIM DALI

230V/50Hz - 12,8W - incl. line voltage driver

◊ - parallel wiring ▽ (0.2m) E CE - P -
4 Step MacAdam - CRI 90 - B



ONYX M MONO LED 800LM 230VAC

REF N°	2200°K	2700°K	3000°K
phase DIM	170 71 500	170 71 000	170 71 100
DIM 1-10V	170 61 500	170 61 000	170 61 100
DIM DALI	170 31 500	170 31 000	170 31 100

230V/50Hz - 9,3W - incl. line voltage driver
◊ - parallel wiring ▽ (0.2m) E CE - P -
2 Step MacAdam - CRI 90 - R9=75 - A

ONYX M MONO LED 1000LM 230VAC

REF N°	2700°K	3000°K	4000°K
phase DIM	170 72 000	170 72 100	170 72 200
DIM 1-10V	170 62 000	170 62 100	170 62 200
DIM DALI	170 32 000	170 32 100	170 32 200

230V/50Hz - 11W - incl. line voltage driver
◊ - parallel wiring ▽ (0.2m) E CE - P -
2 Step MacAdam - CRI 90 - R9=75 - A

ONYX M MONO LED 1500LM 230VAC

REF N°	2700°K	3000°K	4000°K
phase DIM	170 73 000	170 73 100	170 73 200
DIM 1-10V	170 63 000	170 63 100	170 63 200
DIM DALI	170 33 000	170 33 100	170 33 200

230V/50Hz - 9,6W - incl. line voltage driver
◊ - parallel wiring ▽ (0.2m) E CE - P -
2 Step MacAdam - CRI 80 - A+

ONYX M MONO LED 2000LM 230VAC

REF N°	2700°K	3000°K	4000°K
phase DIM	170 74 000	170 74 100	170 74 200
DIM 1-10V	170 64 000	170 64 100	170 64 200
DIM DALI	170 34 000	170 34 100	170 34 200

230V/50Hz - 14,1W - incl. line voltage driver
◊ - parallel wiring ▽ (0.2m) E CE - P -
2 Step MacAdam - CRI 80 - A+



TECHNICAL DATA SHEET

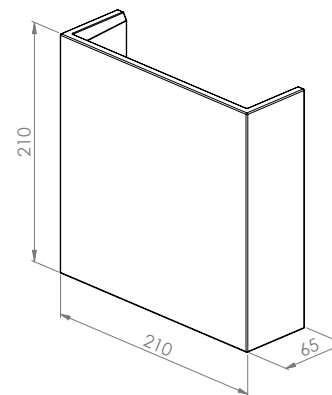
ONYX M DUO IP20

INDOOR - INTERNO - INNENBEREICH - INTERIEUR - INTÉRIEUR - INTERIOR

Fix (not adjustable) 0° - 0°

Surface mounted

Material : CALCYT® plaster



ONYX M DUO LED WARM DIM 2 x 500LM 230VAC

WARM DIM : DIMS FROM 3000°K TO 2000°K

REF N° 173 71 600 phase DIM

REF N° 173 61 600 DIM 1-10V

REF N° 173 31 600 DIM DALI

230V/50Hz - 2 x 6W - incl. line voltage driver

◊ - parallel wiring ▽ (0.2m) E-CE - Ⓟ -

4 Step MacAdam - CRI 80 - B

ONYX M DUO LED 2 x 600LM 230VAC

REF N°	2200°K	2700°K	3000°K
phase DIM	173 71 500	173 71 000	173 71 100
DIM 1-10V	173 61 500	173 61 000	173 61 100
DIM DALI	173 31 500	173 31 000	173 31 100

230V/50Hz - 2 x 6,9W - incl. line voltage driver

◊ - parallel wiring ▽ (0.2m) E-CE - Ⓟ -

2 Step MacAdam - CRI 90 - R9=75 - A

ONYX M DUO LED 2 x 800LM 230VAC

REF N°	2200°K	2700°K	3000°K
phase DIM	173 73 500	173 73 000	173 73 100
DIM 1-10V	173 63 500	173 63 000	173 63 100
DIM DALI	173 33 500	173 33 000	173 33 100

230V/50Hz - 2 x 10W - incl. line voltage driver

◊ - parallel wiring ▽ (0.2m) E-CE - Ⓟ -

2 Step MacAdam - CRI 80 - A



TECHNICAL DATA SHEET

ONYX L MONO IP20

INDOOR - INTERNO - INNENBEREICH - INTERIEUR - INTÉRIEUR - INTERIOR

Fix (not adjustable) 0° - 0°

Surface mounted

Material : CALCYT® plaster

ONYX L MONO LED WARMDIM 900LM 230VAC

WARMDIM : DIMS FROM 3000°K TO 2000°K

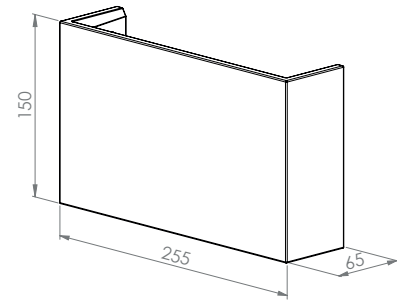
REF N° 171 73 600 phase DIM

REF N° 171 63 600 DIM 1-10V

REF N° 171 33 600 DIM DALI

230V/50Hz - 12,8W - incl. line voltage driver

◊ - parallel wiring ▽ 0.2m E CE - Ⓟ -
4 Step MacAdam - CRI 90 - A



ONYX L MONO LED 800LM 230VAC

REF N°	2200°K	2700°K	3000°K
phase DIM	171 71 500	171 71 000	171 71 100
DIM 1-10V	171 61 500	171 61 000	171 61 100
DIM DALI	171 31 500	171 31 000	171 31 100

230V/50Hz - 9,3W - incl. line voltage driver

◊ - parallel wiring ▽ 0.2m E CE - Ⓟ -
2 Step MacAdam - CRI 90 - R9=75 - A

ONYX L MONO LED 1000LM 230VAC

REF N°	2700°K	3000°K	4000°K
phase DIM	171 72 000	171 72 100	171 72 200
DIM 1-10V	171 62 000	171 62 100	171 62 200
DIM DALI	171 32 000	171 32 100	171 32 200

230V/50Hz - 11W - incl. line voltage driver

◊ - parallel wiring ▽ 0.2m E CE - Ⓟ -
2 Step MacAdam - CRI 90 - R9=75 - A

ONYX L MONO LED 1500LM 230VAC

REF N°	2700°K	3000°K	4000°K
phase DIM	171 73 000	171 73 100	171 73 200
DIM 1-10V	171 63 000	171 63 100	171 63 200
DIM DALI	171 33 000	171 33 100	171 33 200

230V/50Hz - 9,6W - incl. line voltage driver

◊ - parallel wiring ▽ 0.2m E CE - Ⓟ -
2 Step MacAdam - CRI 80 - A+

ONYX L MONO LED 2000LM 230VAC

REF N°	2700°K	3000°K	4000°K
phase DIM	171 74 000	171 74 100	171 74 200
DIM 1-10V	171 64 000	171 64 100	171 64 200
DIM DALI	171 34 000	171 34 100	171 34 200

230V/50Hz - 14,1W - incl. line voltage driver

◊ - parallel wiring ▽ 0.2m E CE - Ⓟ -
2 Step MacAdam - CRI 80 - A+



TECHNICAL DATA SHEET

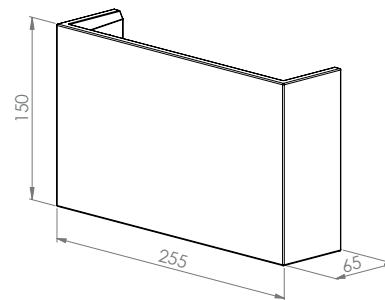
ONYX L DUO IP20

INDOOR - INTERNO - INNENBEREICH - INTERIEUR - INTÉRIEUR - INTERIOR

Fix (not adjustable) 0° - 0°

Surface mounted

Material : CALCYT® plaster



ONYX L DUO LED WARM DIM 2 x 500LM 230VAC

WARM DIM : DIMS FROM 3000°K TO 2000°K

REF N° 174 71 600 phase DIM

REF N° 174 61 600 DIM 1-10V

REF N° 174 31 600 DIM DALI

230V/50Hz - 2 x 6W - incl. line voltage driver

◊ - parallel wiring ▽ Ⓢ 0.2m E CE - Ⓢ -

4 Step MacAdam - CRI 80 - B

ONYX L DUO LED 2 x 600LM 230VAC

REF N°	2200°K	2700°K	3000°K
phase DIM	174 71 500	174 71 000	174 71 100
DIM 1-10V	174 61 500	174 61 000	174 61 100
DIM DALI	174 31 500	174 31 000	174 31 100

230V/50Hz - 2 x 6,9W - incl. line voltage driver

◊ - parallel wiring ▽ Ⓢ 0.2m E CE - Ⓢ -

2 Step MacAdam - CRI 90 - R9=75 - A

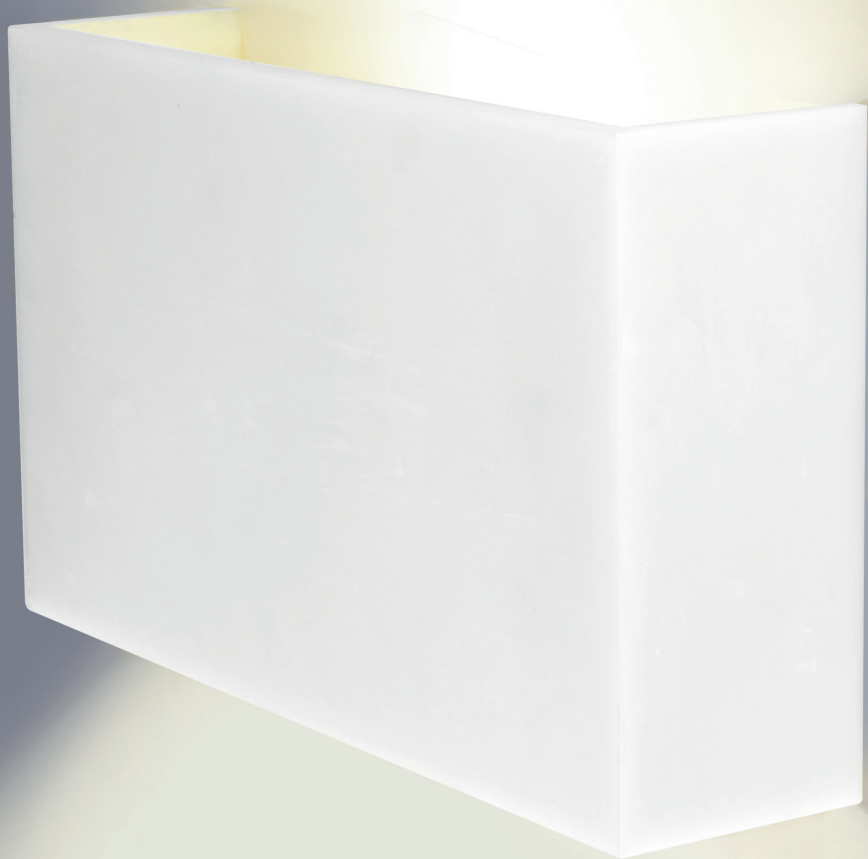
ONYX L DUO LED 2 x 800LM 230VAC

REF N°	2200°K	2700°K	3000°K
phase DIM	174 73 500	174 73 000	174 73 100
DIM 1-10V	174 63 500	174 63 000	174 63 100
DIM DALI	174 33 500	174 33 000	174 33 100

230V/50Hz - 2 x 10W - incl. line voltage driver

◊ - parallel wiring ▽ Ⓢ 0.2m E CE - Ⓢ -

2 Step MacAdam - CRI 80 - A



TECHNICAL DATA SHEET

ONYX H MONO IP20

INDOOR - INTERNO - INNENBEREICH - INTERIEUR - INTÉRIEUR - INTERIOR

Fix (not adjustable) 0° - 0°

Surface mounted

Material : CALCYT® plaster

ONYX H MONO LED WARMDIM 900LM 230VAC

WARMDIM : DIMS FROM 3000°K TO 2000°K

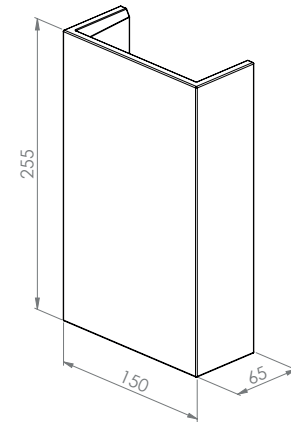
REF N° 172 73 600 phase DIM

REF N° 172 63 600 DIM 1-10V

REF N° 172 33 600 DIM DALI

230V/50Hz - 12,8W - incl. line voltage driver

◊ - parallel wiring ▽ 0.2m E CE - P -
4 Step MacAdam - CRI 90 - A



ONYX H MONO LED 800LM 230VAC

REF N°	2200°K	2700°K	3000°K
phase DIM	172 71 500	172 71 000	172 71 100
DIM 1-10V	172 61 500	172 61 000	172 61 100
DIM DALI	172 31 500	172 31 000	172 31 100

230V/50Hz - 9,3W - incl. line voltage driver
◊ - parallel wiring ▽ 0.2m E CE - P -
2 Step MacAdam - CRI 90 - R9=75 - A

ONYX H MONO LED 1000LM 230VAC

REF N°	2700°K	3000°K	4000°K
phase DIM	172 72 000	172 72 100	172 72 200
DIM 1-10V	172 62 000	172 62 100	172 62 200
DIM DALI	172 32 000	172 32 100	172 32 200

230V/50Hz - 11W - incl. line voltage driver
◊ - parallel wiring ▽ 0.2m E CE - P -
2 Step MacAdam - CRI 90 - R9=75 - A

ONYX H MONO LED 1500LM 230VAC

REF N°	2700°K	3000°K	4000°K
phase DIM	172 73 000	172 73 100	172 73 200
DIM 1-10V	172 63 000	172 63 100	172 63 200
DIM DALI	172 33 000	172 33 100	172 33 200

230V/50Hz - 9,6W - incl. line voltage driver
◊ - parallel wiring ▽ 0.2m E CE - P -
2 Step MacAdam - CRI 80 - A+

ONYX H MONO LED 2000LM 230VAC

REF N°	2700°K	3000°K	4000°K
phase DIM	172 74 000	172 74 100	172 74 200
DIM 1-10V	172 64 000	172 64 100	172 64 200
DIM DALI	172 34 000	172 34 100	172 34 200

230V/50Hz - 14,1W - incl. line voltage driver
◊ - parallel wiring ▽ 0.2m E CE - P -
2 Step MacAdam - CRI 80 - A+



TECHNICAL DATA SHEET

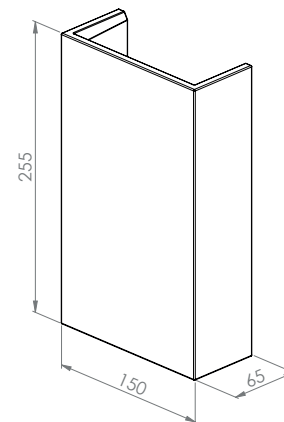
ONYX H DUO IP20

INDOOR - INTERNO - INNENBEREICH - INTERIEUR - INTÉRIEUR - INTERIOR

Fix (not adjustable) 0° - 0°

Surface mounted

Material : CALCYT® plaster



ONYX H DUO LED WARMDIM 2 x 500LM 230VAC

WARMDIM : DIMS FROM 3000°K TO 2000°K

REF N° 175 71 600 phase DIM

REF N° 175 61 600 DIM 1-10V

REF N° 175 31 600 DIM DALI

230V/50Hz - 2 x 6W - incl. line voltage driver

◊ - parallel wiring ▽ C-0.2m E-CE - Ⓟ -

4 Step MacAdam - CRI 80 - B

ONYX H DUO LED 2 x 600LM 230VAC

REF N°	2200°K	2700°K	3000°K
phase DIM	175 71 500	175 71 000	175 71 100
DIM 1-10V	175 61 500	175 61 000	175 61 100
DIM DALI	175 31 500	175 31 000	175 31 100

230V/50Hz - 2 x 6,9W - incl. line voltage driver

◊ - parallel wiring ▽ C-0.2m E-CE - Ⓟ -

2 Step MacAdam - CRI 90 - R9=75 - A

ONYX H DUO LED 2 x 800LM 230VAC

REF N°	2200°K	2700°K	3000°K
phase DIM	175 73 500	175 73 000	175 73 100
DIM 1-10V	175 63 500	175 63 000	175 63 100
DIM DALI	175 33 500	175 33 000	175 33 100

230V/50Hz - 2 x 10W - incl. line voltage driver

◊ - parallel wiring ▽ C-0.2m E-CE - Ⓟ -

2 Step MacAdam - CRI 80 - A

