

TECHNICAL DATA SHEET

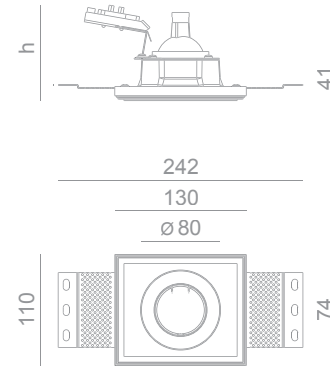
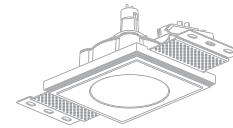
PIXO 50 ADJUSTABLE IP20

INDOOR - INTERNO - INNENBEREICH - INTERIEUR - INTÉRIEUR - INTERIOR

Adjustable \odot 0° - 30°

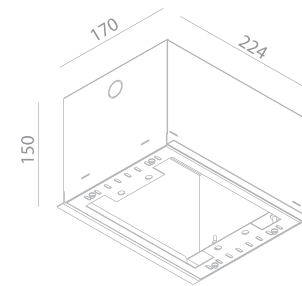
\square 114x134 mm

Material : CALCYT® plaster



INSTALLATION KIT

- STANDARD** (included) installation system for ceiling 9 - 12 - 15 mm
- REF N° 261 99 025** installation system for gypsum ceiling 25 mm
- REF N° 261 99 030** installation system for gypsum ceiling 30 mm
- REF N° 827 00 000** Concrete box Pixo 50 - Galvanized steel



BEAM ANGLES

- STANDARD** (included) beam angle 36°
- REF N° 205 50 012** optional beam angle 12°
- REF N° 205 50 024** optional beam angle 24°

EMERGENCY UNITS

- REF N° 693 01 001** 1h basic + control LED
- REF N° 693 01 003** 3h basic + control LED
- REF N° 693 30 001** 1h EMPRO DALI
- REF N° 693 30 003** 3h EMPRO DALI

PIXO 50 LED WARMDIM

WARMDIM : DIMS FROM 3000°K TO 2000°K

REF N°	500LM CRI80	900LM CRI90
phase DIM	261 72 640	261 73 640
DIM 1-10V	261 62 640	261 63 640
DIM DALI	261 32 640	261 33 640

6W (500lm) - 12,8W (900lm) - 4 Step MacAdam
 \square - 230V/50Hz - CE - ∇ - A - B
 Incl. LED driver (phase DIM, 1-10V or DALI)
 Standard beam angle 36° (options 24°)
 h = 115 mm (500lm) - h = 150 mm (900lm)

PIXO 50 LED 1300LM CRI 80

REF N°	2700°K	3000°K	4000°K
phase DIM	261 73 040	261 73 140	261 73 240
DIM 1-10V	261 63 040	261 63 140	261 63 240
DIM DALI	261 33 040	261 33 140	261 33 240

Xicato LED - 11,7W - 1300lm - 2 Step MacAdam
 \square - 230V/50Hz - CE - ∇ - A
 Incl. LED driver (phase DIM, 1-10V or DALI)
 Standard beam angle 36° (options 12°, 24°)
 h = 150 mm

PIXO 50 LED 700LM CRI 80

REF N°	2700°K	3000°K	4000°K
phase DIM	261 72 040	261 72 140	261 72 240
DIM 1-10V	261 62 040	261 62 140	261 62 240
DIM DALI	261 32 040	261 32 140	261 32 240

Xicato LED - 5,6 W - 720lm - 2 Step MacAdam
 \square - 230V/50Hz - CE - ∇ - A^+
 Incl. LED driver (phase DIM, 1-10V or DALI)
 Standard beam angle 36° (options 12°, 24°)
 h = 92 mm (phase DIM models beam 36°)
 h = 115 mm (all other models)

PIXO 50 LED 700LM CRI 97

REF N°	2700°K	3000°K	4000°K
phase DIM	261 72 940	261 72 840	261 72 740
DIM 1-10V	261 62 940	261 62 840	261 62 740
DIM DALI	261 32 940	261 32 840	261 32 740

Xicato LED - 7,4 W - 720lm - 2 Step MacAdam
 \square - 230V/50Hz - CE - ∇ - A
 Incl. LED driver (phase DIM, 1-10V or DALI)
 Standard beam angle 36° (options 12°, 24°)
 h = 115 mm (models beam angle 36°)
 h = 150 mm (models beam angle 12° or 24°)

PIXO 50 HAL

REF N° 261 10 050

QR-CBC 51 - 50W - Gx5.3 - 12V
 CE - ∇ - D - D
 h = 92 mm - exclusive lamp and transfo

PIXO 50 ES

REF N° 261 11 050

QPAR 16 - 50W - GZ10/GU10 - A
 CE - 230V/50Hz - ∇ - D
 h = 93 mm - exclusive lamp

PIXO 50 ADJUSTABLE IP20

ACCESSORIES - ACCESSORI - ZUBEHÖR - ACCESSOIRES - ACCESOIRES - ACCESORIOS



STANDARD (included) LAMPHOLDER RING WHITE



REF N° 201 10 002 LAMPHOLDER RING BLACK



REF N° 201 11 001
EXTENSION S WHITE
Ø 56 x 26 mm ⌀ 0° - 10°



REF N° 201 12 001
EXTENSION M WHITE
Ø 56 x 36 mm ⌀ 0° - 10°



REF N° 201 13 001
EXTENSION L WHITE
Ø 56 x 68 mm ⌀ 0° - 10°



REF N° 201 11 002
EXTENSION S BLACK
Ø 56 x 26 mm ⌀ 0° - 10°



REF N° 201 12 002
EXTENSION M BLACK
Ø 56 x 36 mm ⌀ 0° - 10°



REF N° 201 13 002
EXTENSION L BLACK
Ø 56 x 68 mm ⌀ 0° - 10°



REF N° 201 51 001
FROSTED PLEXI WHITE
Only for LED lampsources



REF N° 201 52 001
HONEYCOMB WHITE
Only for LED lampsources



REF N° 201 53 001
SPHERICAL GLASS LENS
IN WHITE RING



REF N° 201 51 002
FROSTED PLEXI BLACK
Only for LED lampsources



REF N° 201 52 002
HONEYCOMB BLACK
Only for LED lampsources



REF N° 201 53 002
SPHERICAL GLASS LENS
IN BLACK RING

TECHNICAL DATA SHEET

PIXO 50 W IP20

INDOOR - INTERNO - INNENBEREICH - INTERIEUR - INTÉRIEUR - INTERIOR

Fix (not adjustable) 0° - 0°

□ 114x144 mm

Material : CALCYT® plaster

PIXO 50 W LED WARMDIM

WARMDIM : DIMS FROM 3000°K TO 2000°K

REF N°	500LM CRI80	900LM CRI90
phase DIM	262 72 640	262 73 640
DIM 1-10V	262 62 640	262 63 640
DIM DALI	262 32 640	262 33 640

6W (500lm) -12,8W (900lm) - 4 Step MacAdam
 □ - 230V/50Hz - - - - -
 Incl. LED driver (phase DIM, 1-10V or DALI)
 Standard beam angle 36° (options 24°)
 h = 115 mm (500lm) - h = 150 mm (900lm)

PIXO 50 W LED 1300LM CRI 80

REF N°	2700°K	3000°K	4000°K
phase DIM	262 73 040	262 73 140	262 73 240
DIM 1-10V	262 63 040	262 63 140	262 63 240
DIM DALI	262 33 040	262 33 140	262 33 240

Xicato LED - 11,7W - 1300lm - 2 Step MacAdam
 □ - 230V/50Hz - - - - -
 Incl. LED driver (phase DIM, 1-10V or DALI)
 Standard beam angle 36° (options 12°, 24°)
 h = 150 mm

PIXO 50 W LED 700LM CRI 80

REF N°	2700°K	3000°K	4000°K
phase DIM	262 72 040	262 72 140	262 72 240
DIM 1-10V	262 62 040	262 62 140	262 62 240
DIM DALI	262 32 040	262 32 140	262 32 240

Xicato LED - 5,6 W - 720lm - 2 Step MacAdam
 □ - 230V/50Hz - - - - -
 Incl. LED driver (phase DIM, 1-10V or DALI)
 Standard beam angle 36° (options 12°, 24°)
 h = 92 mm (phase DIM models beam 36°)
 h = 115 mm (all other models)

PIXO 50 W LED 700LM CRI 97

REF N°	2700°K	3000°K	4000°K
phase DIM	262 72 940	262 72 840	262 72 740
DIM 1-10V	262 62 940	262 62 840	262 62 740
DIM DALI	262 32 940	262 32 840	262 32 740

Xicato LED - 7,4 W - 720lm - 2 Step MacAdam
 □ - 230V/50Hz - - - - -
 Incl. LED driver (phase DIM, 1-10V or DALI)
 Standard beam angle 36° (options 12°, 24°)
 h = 115 mm (models beam angle 36°)
 h = 150 mm (models beam angle 12° or 24°)

PIXO 50 W HAL

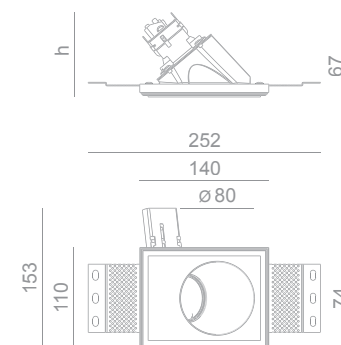
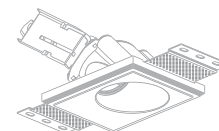
REF N° 262 10 050

QR-CBC 51 - 50W - Gx5.3 - 12V
 - - - - - -
 h = 92 mm - exclusive lamp and transfo

PIXO 50 W ES

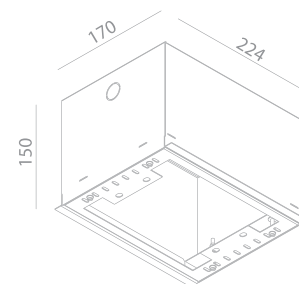
REF N° 262 11 050

QPAR 16 - 50W - GZ10/GU10 - - -
 - - 230V/50Hz - - - - -
 h = 93 mm - exclusive lamp



INSTALLATION KIT

- STANDARD (included) installation system for ceiling 9 - 12 - 15 mm
- REF N° 262 99 025 installation system for gypsum ceiling 25 mm
- REF N° 262 99 030 installation system for gypsum ceiling 30 mm
- REF N° 827 00 000 Concrete box Pixo 50 - Galvanized steel



BEAM ANGLES

- STANDARD (included) beam angle 36°
- REF N° 205 50 012 optional beam angle 12°
- REF N° 205 50 024 optional beam angle 24°

EMERGENCY UNITS

- REF N° 693 01 001 1h basic + control LED
- REF N° 693 01 003 3h basic + control LED
- REF N° 693 30 001 1h EMPRO DALI
- REF N° 693 30 003 3h EMPRO DALI



TECHNICAL DATA SHEET

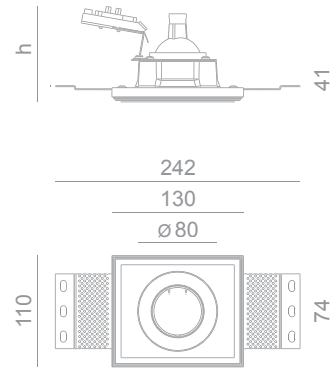
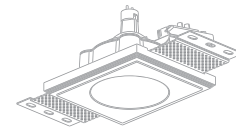
PIXO 50 IP54

BATHROOM - STANZA DA BAGNO - BADEZIMMER - BADKAMER - SALLE DE BAINS - CUARTO DE BAÑO

Fix (not adjustable) 0° - 0°

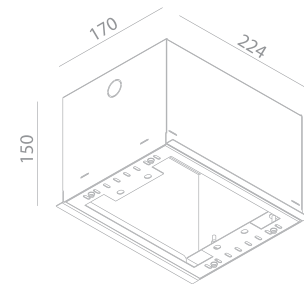
114x134 mm

Material : CALCYT® plaster



INSTALLATION KIT

- STANDARD** (included) installation system for ceiling 9 - 12 - 15 mm
- REF N° 261 99 025** installation system for gypsum ceiling 25 mm
- REF N° 261 99 030** installation system for gypsum ceiling 30 mm
- REF N° 827 00 000** Concrete box Pixo 50 - Galvanized steel



BEAM ANGLES

- STANDARD** (included) beam angle 36°
- REF N° 205 50 012** optional beam angle 12°
- REF N° 205 50 024** optional beam angle 24°

EMERGENCY UNITS

- REF N° 693 01 001** 1h basic + control LED
- REF N° 693 01 003** 3h basic + control LED
- REF N° 693 30 001** 1h EMPRO DALI
- REF N° 693 30 003** 3h EMPRO DALI

PIXO 50 LED WARMDIM

WARMDIM : DIMS FROM 3000°K TO 2000°K

REF N°	500LM CRI80	900LM CRI90
phase DIM	261 72 641	261 73 641
DIM 1-10V	261 62 641	261 63 641
DIM DALI	261 32 641	261 33 641

6W (500lm) - 12,8W (900lm) - 4 Step MacAdam
 □ - 230V/50Hz - - -
 Incl. LED driver (phase DIM, 1-10V or DALI)
 Standard beam angle 36° (options 24°)
 h = 115 mm (500lm) - h = 150 mm (900lm)

PIXO 50 LED 1300LM CRI 80

REF N°	2700°K	3000°K	4000°K
phase DIM	261 73 041	261 73 141	261 73 241
DIM 1-10V	261 63 041	261 63 141	261 63 241
DIM DALI	261 33 041	261 33 141	261 33 241

Xicato LED - 11,7W - 1300lm - 2 Step MacAdam
 □ - 230V/50Hz - - -
 Incl. LED driver (phase DIM, 1-10V or DALI)
 Standard beam angle 36° (options 12°, 24°)
 h = 150 mm

PIXO 50 LED 700LM CRI 80

REF N°	2700°K	3000°K	4000°K
phase DIM	261 72 041	261 72 141	261 72 241
DIM 1-10V	261 62 041	261 62 141	261 62 241
DIM DALI	261 32 041	261 32 141	261 32 241

Xicato LED - 5,6 W - 720lm - 2 Step MacAdam
 □ - 230V/50Hz - - -
 Incl. LED driver (phase DIM, 1-10V or DALI)
 Standard beam angle 36° (options 12°, 24°)
 h = 92 mm (phase DIM models beam 36°)
 h = 115 mm (all other models)

PIXO 50 LED 700LM CRI 97

REF N°	2700°K	3000°K	4000°K
phase DIM	261 72 941	261 72 841	261 72 741
DIM 1-10V	261 62 941	261 62 841	261 62 741
DIM DALI	261 32 941	261 32 841	261 32 741

Xicato LED - 7,4 W - 720lm - 2 Step MacAdam
 □ - 230V/50Hz - - -
 Incl. LED driver (phase DIM, 1-10V or DALI)
 Standard beam angle 36° (options 12°, 24°)
 h = 115 mm (models beam angle 36°)
 h = 150 mm (models beam angle 12° or 24°)

PIXO 50 HAL

REF N° 227 10 051

QR-CBC 51 - 50W - Gx5.3 - 12V
 - - - -
 h = 92 mm - exclusive lamp and transfo

PIXO 50 ES

REF N° 227 11 051

QPAR 16 - 50W - GZ10/GU10 -
 - - 230V/50Hz - - -
 h = 93 mm - exclusive lamp

TECHNICAL DATA SHEET

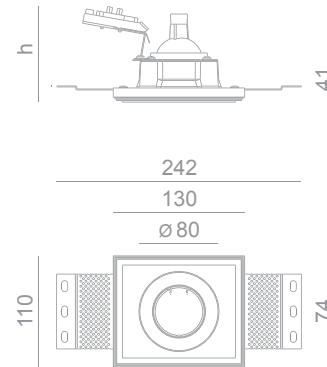
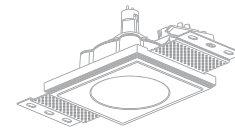
PIXO 50 IP54

OUTDOOR - ESTERNO - AUßENBEREICH - EXTERIEUR - EXTERIOR

Fix (not adjustable) 0° - 0°

114x134 mm

Material : waterproof CALCYT+®



PIXO 50 LED WARMDIM

WARMDIM : DIMS FROM 3000°K TO 2000°K

REF N°	500LM CRI80	900LM CRI90
phase DIM	261 72 645	261 73 645
DIM 1-10V	261 62 645	261 63 645
DIM DALI	261 32 645	261 33 645

6W (500lm) - 12,8W (900lm) - 4 Step MacAdam
 ☐ - 230V/50Hz - CE - ▽ - ⚡ - A
 Incl. LED driver (phase DIM, 1-10V or DALI)
 Standard beam angle 36° (options 24°)
 h = 115 mm (500lm) - h = 150 mm (900lm)

PIXO 50 LED 1300LM CRI 80

REF N°	2700°K	3000°K	4000°K
phase DIM	261 73 045	261 73 145	261 73 245
DIM 1-10V	261 63 045	261 63 145	261 63 245
DIM DALI	261 33 045	261 33 145	261 33 245

Xicato LED - 11,7W - 1300lm - 2 Step MacAdam
 ☐ - 230V/50Hz - CE - ▽ - ⚡ - A
 Incl. LED driver (phase DIM, 1-10V or DALI)
 Standard beam angle 36° (options 12°, 24°)
 h = 150 mm

PIXO 50 LED 700LM CRI 80

REF N°	2700°K	3000°K	4000°K
phase DIM	261 72 045	261 72 145	261 72 245
DIM 1-10V	261 62 045	261 62 145	261 62 245
DIM DALI	261 32 045	261 32 145	261 32 245

Xicato LED - 5,6 W - 720lm - 2 Step MacAdam
 ☐ - 230V/50Hz - CE - ▽ - ⚡ - A+
 Incl. LED driver (phase DIM, 1-10V or DALI)
 Standard beam angle 36° (options 12°, 24°)
 h = 92 mm (phase DIM models beam 36°)
 h = 115 mm (all other models)

PIXO 50 LED 700LM CRI 97

REF N°	2700°K	3000°K	4000°K
phase DIM	261 72 945	261 72 845	261 72 745
DIM 1-10V	261 62 945	261 62 845	261 62 745
DIM DALI	261 32 945	261 32 845	261 32 745

Xicato LED - 7,4 W - 720lm - 2 Step MacAdam
 ☐ - 230V/50Hz - CE - ▽ - ⚡ - A
 Incl. LED driver (phase DIM, 1-10V or DALI)
 Standard beam angle 36° (options 12°, 24°)
 h = 115 mm (models beam angle 36°)
 h = 150 mm (models beam angle 12° or 24°)

PIXO 50 HAL

REF N° 227 10 055

☑ QR-CBC 51 - 50W - Gx5.3 - 12V
 ☐ - CE - ⚡ - ▽ - (0.5m) - D
 h = 92 mm - exclusive lamp and transfo

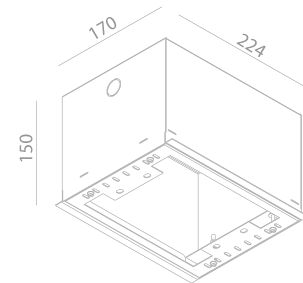
PIXO 50 ES

REF N° 227 11 055

☑ QPAR 16 - 50W - GZ10/GU10 - ⚡
 ☐ - CE - 230V/50Hz - ▽ - (0.5m) - D
 h = 93 mm - exclusive lamp

INSTALLATION KIT

- STANDARD** (included) installation system for ceiling 9 - 12 - 15 mm
- REF N° 261 99 025** installation system for gypsum ceiling 25 mm
- REF N° 261 99 030** installation system for gypsum ceiling 30 mm
- REF N° 827 00 000** Concrete box Pixo 50 - Galvanized steel



BEAM ANGLES

- STANDARD** (included) beam angle 36°
- REF N° 205 50 012** optional beam angle 12°
- REF N° 205 50 024** optional beam angle 24°

EMERGENCY UNITS

- REF N° 693 01 001** 1h basic + control LED
- REF N° 693 01 003** 3h basic + control LED
- REF N° 693 30 001** 1h EMPRO DALI
- REF N° 693 30 003** 3h EMPRO DALI

TECHNICAL DATA SHEET

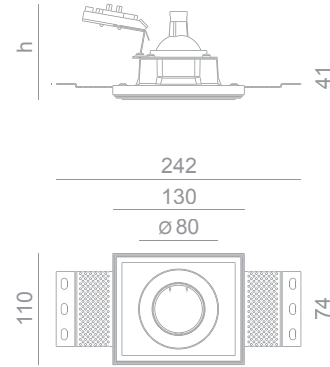
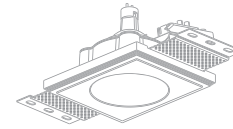
PIXO 50 FIX IP20

INDOOR - INTERNO - INNENBEREICH - INTERIEUR - INTÉRIEUR - INTERIOR

Fix (not adjustable) 0° - 0°

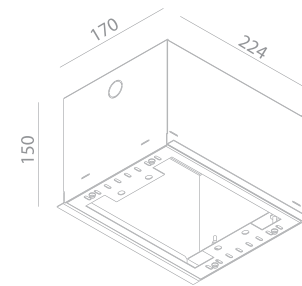
☐ 114x134 mm

Material : CALCYT® plaster



INSTALLATION KIT

- STANDARD** (included) installation system for ceiling 9 - 12 - 15 mm
- REF N° 261 99 025** installation system for gypsum ceiling 25 mm
- REF N° 261 99 030** installation system for gypsum ceiling 30 mm
- REF N° 827 00 000** Concrete box Pixo 50 - Galvanized steel



BEAM ANGLES

- STANDARD** (included) beam angle 36°
- REF N° 205 50 012** optional beam angle 12°
- REF N° 205 50 024** optional beam angle 24°

EMERGENCY UNITS

- REF N° 693 01 001** 1h basic + control LED
- REF N° 693 01 003** 3h basic + control LED
- REF N° 693 30 001** 1h EMPRO DALI
- REF N° 693 30 003** 3h EMPRO DALI

PIXO 50 LED WARMDIM

WARMDIM : DIMS FROM 3000°K TO 2000°K

REF N°	500LM CRI80	900LM CRI90
phase DIM	227 72 640	227 73 640
DIM 1-10V	227 62 640	227 63 640
DIM DALI	227 32 640	227 33 640

6W (500lm) - 12,8W (900lm) - 4 Step MacAdam
 ☐ - 230V/50Hz - **CE** - **∇** - **⚡** - **B**
 Incl. LED driver (phase DIM, 1-10V or DALI)
 Standard beam angle 36° (options 24°)
 h = 115 mm (500lm) - h = 150 mm (900lm)

PIXO 50 LED 1300LM CRI 80

REF N°	2700°K	3000°K	4000°K
phase DIM	227 73 040	227 73 140	227 73 240
DIM 1-10V	227 63 040	227 63 140	227 63 240
DIM DALI	227 33 040	227 33 140	227 33 240

Xicato LED - 11,7W - 1300lm - 2 Step MacAdam
 ☐ - 230V/50Hz - **CE** - **∇** - **⚡** - **A**
 Incl. LED driver (phase DIM, 1-10V or DALI)
 Standard beam angle 36° (options 12°, 24°)
 h = 150 mm

PIXO 50 LED 700LM CRI 80

REF N°	2700°K	3000°K	4000°K
phase DIM	227 72 040	227 72 140	227 72 240
DIM 1-10V	227 62 040	227 62 140	227 62 240
DIM DALI	227 32 040	227 32 140	227 32 240

Xicato LED - 5,6 W - 720lm - 2 Step MacAdam
 ☐ - 230V/50Hz - **CE** - **∇** - **⚡** - **A+**
 Incl. LED driver (phase DIM, 1-10V or DALI)
 Standard beam angle 36° (options 12°, 24°)
 h = 92 mm (phase DIM models beam 36°)
 h = 115 mm (all other models)

PIXO 50 LED 700LM CRI 97

REF N°	2700°K	3000°K	4000°K
phase DIM	227 72 940	227 72 840	227 72 740
DIM 1-10V	227 62 940	227 62 840	227 62 740
DIM DALI	227 32 940	227 32 840	227 32 740

Xicato LED - 7,4 W - 720lm - 2 Step MacAdam
 ☐ - 230V/50Hz - **CE** - **∇** - **⚡** - **A**
 Incl. LED driver (phase DIM, 1-10V or DALI)
 Standard beam angle 36° (options 12°, 24°)
 h = 115 mm (models beam angle 36°)
 h = 150 mm (models beam angle 12° or 24°)

PIXO 50 HAL

REF N° 227 10 050

☐ QR-CBC 51 - 50W - Gx5.3 - 12V
 ☐ - **CE** - **⚡** - **∇** - **∅0.5m** - **D**
 h = 92 mm - exclusive lamp and transfo

PIXO 50 ES

REF N° 227 11 050

☐ QPAR 16 - 50W - GZ10/GU10 - **⚡**
 ☐ - **CE** - 230V/50Hz - **∇** - **∅0.5m** - **D**
 h = 93 mm - exclusive lamp



TECHNICAL DATA SHEET

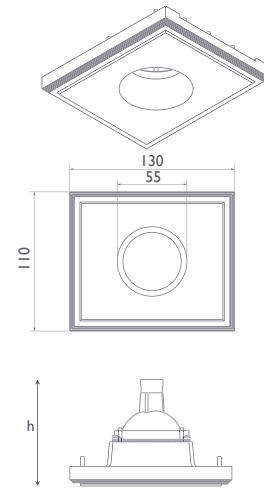
PIXO 30 IP54

BATHROOM - STANZA DA BAGNO - BADEZIMMER - BADKAMER - SALLE DE BAINS - CUARTO DE BAÑO

Adjustable \odot 0° - 10°

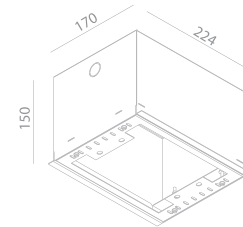
\square 114x134 mm

Material : CALCYT® plaster



INSTALLATION KIT

- STANDARD** (included) installation system for ceiling 9 - 12 - 15 mm
- REF N° 273 99 025** installation system for gypsum ceiling 25 mm
- REF N° 273 99 030** installation system for gypsum ceiling 30 mm
- REF N° 827 00 000** Concrete box Pixo 30/50 - Galvanized steel



BEAM ANGLES

- STANDARD** (included) beam angle 32°
- REF N° 204 30 024** optional beam angle 24°
- REF N° 204 30 040** optional beam angle 40°
- REF N° 204 30 050** optional beam angle 50°

REMOTE LED DRIVER DIM 250mA/350mA

- REF N° 697 60 040** DIM 1-10V DALI PUSH 30W
- REF N° 697 60 150** DIM 1-10V 100W
- REF N° 697 30 150** DIM DALI 100W

PIXO 30 LED 450LM CRI 97 230VAC

REF N° 273 71 931 phase DIM CRI 97 2700°K

REF N° 273 71 831 phase DIM CRI 97 3000°K

6,5W - 450lm - 2 Step MacAdam \square 230V/50Hz
Standard beam angle 32° (options 40°, 50°)
Parallel wiring - Connects directly to 230VAC
h=98 - \square - CE - ∇ - IA - P

PIXO 30 LED 450LM CRI 97 REMOTE DRIVER

REF N° 273 29 931 excl. LED driver CRI 97 2700°K

REF N° 273 29 831 excl. LED driver CRI 97 3000°K

6,5W - 450lm - 2 Step MacAdam
Standard beam angle 32° (options 40°, 50°)
Serial wiring - Requires remote LED driver
h=98 - \square - CE - ∇ - IA - P

PIXO 30 LED 600LM 230VAC

REF N° 273 71 531 phase DIM CRI 80 2200°K

REF N° 273 71 031 phase DIM CRI 90 2700°K

REF N° 273 71 131 phase DIM CRI 90 3000°K

6,5W - 600lm - 2 Step MacAdam \square 230V/50Hz
Standard beam angle 32° (options 24°, 40°, 50°)
Parallel wiring - Connects directly to 230VAC
h=98 - \square - CE - ∇ - IA - P

PIXO 30 LED 600LM REMOTE DRIVER

REF N° 273 29 531 excl. LED driver CRI 80 2200°K

REF N° 273 29 031 excl. LED driver CRI 90 2700°K

REF N° 273 29 131 excl. LED driver CRI 90 3000°K

6,5W - 600lm - 2 Step MacAdam
Standard beam angle 32° (options 24°, 40°, 50°)
Serial wiring - Requires remote LED driver
h=98 - \square - CE - ∇ - IA - P

TECHNICAL DATA SHEET

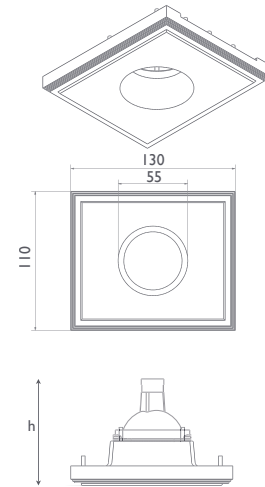
PIXO 30 IP54

OUTDOOR - ESTERNO - AUßENBEREICH - EXTERIEUR - EXTÉRIEUR - EXTERIOR

Adjustable \odot 0° - 10°

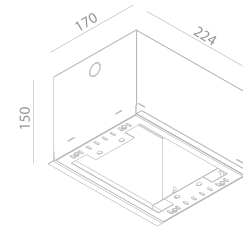
\square 114x134 mm

Material : waterproof CALCYT+®



INSTALLATION KIT

- STANDARD** (included) installation system for ceiling 9 - 12 - 15 mm
- REF N° 273 99 025** installation system for gypsum ceiling 25 mm
- REF N° 273 99 030** installation system for gypsum ceiling 30 mm
- REF N° 827 00 000** Concrete box Pixo 30/50 - Galvanized steel



BEAM ANGLES

- STANDARD** (included) beam angle 32°
- REF N° 204 30 024** optional beam angle 24°
- REF N° 204 30 040** optional beam angle 40°
- REF N° 204 30 050** optional beam angle 50°

REMOTE LED DRIVER DIM 250mA/350mA

- REF N° 697 60 040** DIM 1-10V DALI PUSH 30W
- REF N° 697 60 150** DIM 1-10V 100W
- REF N° 697 30 150** DIM DALI 100W

PIXO 30 LED 450LM CRI 97 230VAC

REF N° 273 71 935 phase DIM CRI 97 2700°K

REF N° 273 71 835 phase DIM CRI 97 3000°K

6,5W - 450lm - 2 Step MacAdam \square 230V/50Hz
Standard beam angle 32° (options 40°, 50°)
Parallel wiring - Connects directly to 230VAC
h=98 - \square - CE - ∇ - A - P

PIXO 30 LED 450LM CRI 97 REMOTE DRIVER

REF N° 273 29 935 excl. LED driver CRI 97 2700°K

REF N° 273 29 835 excl. LED driver CRI 97 3000°K

6,5W - 450lm - 2 Step MacAdam
Standard beam angle 32° (options 40°, 50°)
Serial wiring - Requires remote LED driver
h=98 - \square - CE - ∇ - A - P

PIXO 30 LED 600LM 230VAC

REF N° 273 71 535 phase DIM CRI 80 2200°K

REF N° 273 71 035 phase DIM CRI 90 2700°K

REF N° 273 71 135 phase DIM CRI 90 3000°K

6,5W - 600lm - 2 Step MacAdam \square 230V/50Hz
Standard beam angle 32° (options 24°, 40°, 50°)
Parallel wiring - Connects directly to 230VAC
h=98 - \square - CE - ∇ - A - P

PIXO 30 LED 600LM REMOTE DRIVER

REF N° 273 29 535 excl. LED driver CRI 80 2200°K

REF N° 273 29 035 excl. LED driver CRI 90 2700°K

REF N° 273 29 135 excl. LED driver CRI 90 3000°K

6,5W - 600lm - 2 Step MacAdam
Standard beam angle 32° (options 24°, 40°, 50°)
Serial wiring - Requires remote LED driver
h=98 - \square - CE - ∇ - A - P

TECHNICAL DATA SHEET

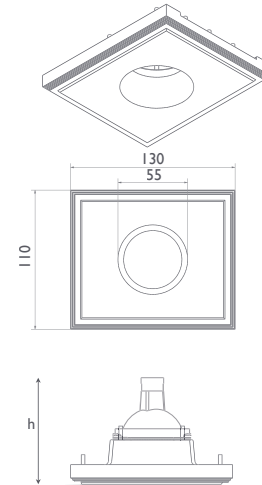
PIXO 30 IP20

INDOOR - INTERNO - INNENBEREICH - INTERIEUR - INTÉRIEUR - INTERIOR

Adjustable \odot 0° - 10°

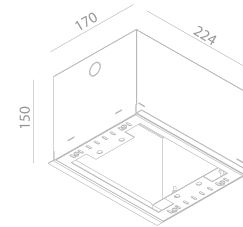
\square 114x134 mm

Material : CALCYT® plaster



INSTALLATION KIT

- STANDARD** (included) installation system for ceiling 9 - 12 - 15 mm
- REF N° 273 99 025** installation system for gypsum ceiling 25 mm
- REF N° 273 99 030** installation system for gypsum ceiling 30 mm
- REF N° 827 00 000** Concrete box Pixo 30/50 - Galvanized steel



BEAM ANGLES

- STANDARD** (included) beam angle 32°
- REF N° 204 30 024** optional beam angle 24°
- REF N° 204 30 040** optional beam angle 40°
- REF N° 204 30 050** optional beam angle 50°

REMOTE LED DRIVER DIM 250mA/350mA

- REF N° 697 60 040** DIM 1-10V DALI PUSH 30W
- REF N° 697 60 150** DIM 1-10V 100W
- REF N° 697 30 150** DIM DALI 100W

PIXO 30 LED 450LM CRI 97 230VAC

REF N° 273 71 930 phase DIM CRI 97 2700°K

REF N° 273 71 830 phase DIM CRI 97 3000°K

6,5W - 450lm - 2 Step MacAdam \square 230V/50Hz
Standard beam angle 32° (options 40°, 50°)
Parallel wiring - Connects directly to 230VAC
h=98 - \square - CE - ∇ - A - P

PIXO 30 LED 450LM CRI 97 REMOTE DRIVER

REF N° 273 29 930 excl. LED driver CRI 97 2700°K

REF N° 273 29 830 excl. LED driver CRI 97 3000°K

6,5W - 450lm - 2 Step MacAdam
Standard beam angle 32° (options 40°, 50°)
Serial wiring - Requires remote LED driver
h=98 - \square - CE - ∇ - A - P

PIXO 30 LED 600LM 230VAC

REF N° 273 71 530 phase DIM CRI 80 2200°K

REF N° 273 71 030 phase DIM CRI 90 2700°K

REF N° 273 71 130 phase DIM CRI 90 3000°K

6,5W - 600lm - 2 Step MacAdam \square 230V/50Hz
Standard beam angle 32° (options 24°, 40°, 50°)
Parallel wiring - Connects directly to 230VAC
h=98 - \square - CE - ∇ - A - P

PIXO 30 LED 600LM REMOTE DRIVER

REF N° 273 29 530 excl. LED driver CRI 80 2200°K

REF N° 273 29 030 excl. LED driver CRI 90 2700°K

REF N° 273 29 130 excl. LED driver CRI 90 3000°K

6,5W - 600lm - 2 Step MacAdam
Standard beam angle 32° (options 24°, 40°, 50°)
Serial wiring - Requires remote LED driver
h=98 - \square - CE - ∇ - A - P

PIXO 30 LED 200LM REAL SPOT 230VAC

REF N° 273 70 510 phase DIM CRI 80 2200°K

REF N° 273 70 010 phase DIM CRI 90 2700°K

REF N° 273 70 110 phase DIM CRI 90 3000°K

3W - 200lm - 3 Step MacAdam \square 230V/50Hz
5° beam angle - \square - CE - ∇ - A - P
Parallel wiring - Connects directly to 230VAC
h=98

PIXO 30 LED 200LM REAL SPOT REMOTE DRIVER

REF N° 273 29 510 excl. LED driver CRI 80 2200°K

REF N° 273 29 010 excl. LED driver CRI 90 2700°K

REF N° 273 29 110 excl. LED driver CRI 90 3000°K

3W - 200lm - 3 Step MacAdam
5° beam angle - \square - CE - ∇ - A - P
Serial wiring - Requires remote LED driver
h=98



TECHNICAL DATA SHEET

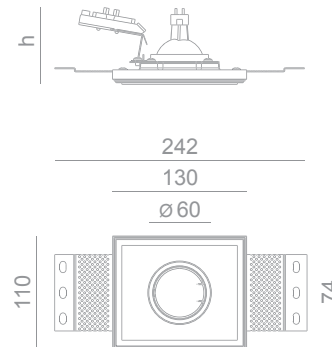
PIXO 50 LOW IP20

INDOOR - INTERNO - INNENBEREICH - INTERIEUR - INTERIOR

Fix (not adjustable) 0° - 0°

☐ 114x134 mm

Material : CALCYT® plaster



REMOTE LED DRIVER ON/OFF

REF N° 697 00 006 8W

REF N° 697 00 015 15W

REF N° 697 00 025 25W

230V/50Hz - ☐ - current controlled
∇ - CE - IP20 - 350mA - not dimmable

PIXO 50 LOW LED 700LM CRI 80

REF N°	2700°K	3000°K	4000°K
phase DIM	263 72 040	263 72 140	263 72 240
DIM 1-10V	263 62 040	263 62 140	263 62 240
DIM DALI	263 32 040	263 32 140	263 32 240

Xicato LED - 5,6 W - 720lm - 2 Step MacAdam
☐ - 230V/50Hz - CE - ∇ - ☐ - A+
Incl. LED driver (phase DIM, 1-10V or DALI)
Standard beam angle 36° (options 12°, 24°)
h = 75 mm (phase DIM models beam 36°)
h = 95 mm (all other models)

PIXO 50 LOW HAL

REF N° 263 10 050

☐ QR-CBC 51 - 50W - Gx5.3 - 12V
∇ - CE - ☐ - ∇ - ☐ - 0.5m - D
h = 75 mm - exclusive lamp and transfo

REMOTE LED DRIVER DIM

REF N° 697 60 006 6W 1-10V

REF N° 697 60 015 15W 1-10V

REF N° 697 30 015 15W DALI

REF N° 697 60 025 25W 1-10V DALI PUSH

REF N° 697 60 040 40W 1-10V DALI PUSH

REF N° 697 60 150 150W 1-10V

REF N° 697 30 150 150W DALI

REF N° 697 70 009 9W PHASE DIM (tr. edge)

REF N° 697 70 017 17W PHASE DIM

230V/50Hz - ☐ - current controlled
∇ - CE - IP20 - 350mA - dimmable

PIXO 50 LOW LED 700LM CRI 80 REMOTE DRIVER

REF N° 263 29 040 2700K

REF N° 263 29 140 3000K

REF N° 263 29 240 4000K

Xicato LED - 5,6W - 720lm - 2 Step MacAdam
CE - ∇ - ☐ - A+ - Excl. LED driver
Requires remote LED driver @ 350 mA
Standard beam angle 60°
h = 50 mm

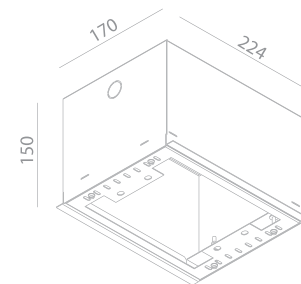
PIXO 50 LOW ES

REF N° 263 11 050

☐ QPAR 16 - 50W - GZ10/GU10 - ☐
∇ - CE - 230V/50Hz - ∇ - ☐ - 0.5m - D
h = 78 mm - exclusive lamp

INSTALLATION KIT

STANDARD (included) installation system for ceiling 9 - 12 - 15 mm
REF N° 263 99 025 installation system for gypsum ceiling 25 mm
REF N° 263 99 030 installation system for gypsum ceiling 30 mm
REF N° 827 00 000 Concrete box Pixo 50 - Galvanized steel

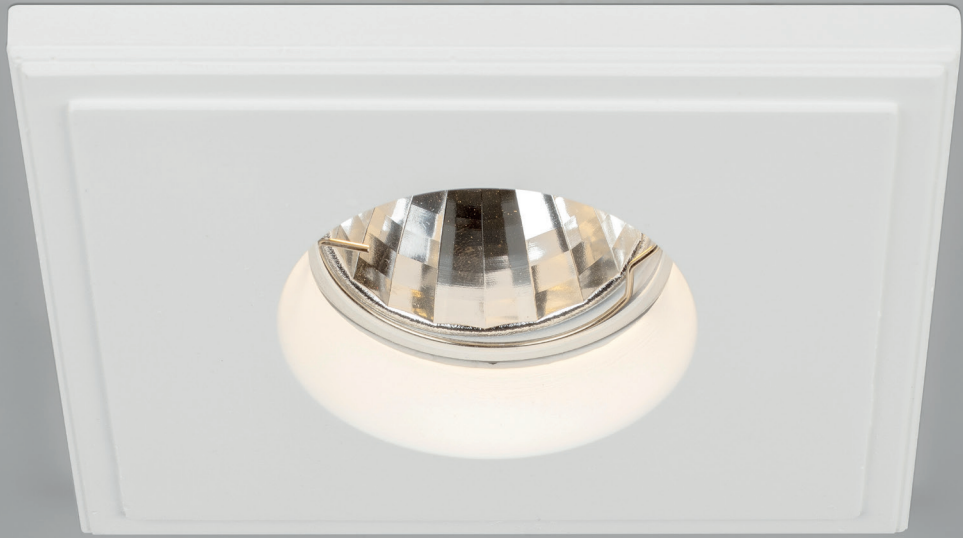


BEAM ANGLES

STANDARD (included) beam angle 36°
REF N° 205 50 012 optional beam angle 12°
REF N° 205 50 024 optional beam angle 24°

EMERGENCY UNITS

REF N° 693 01 001 1h basic + control LED
REF N° 693 01 003 3h basic + control LED
REF N° 693 30 001 1h EMPRO DALI
REF N° 693 30 003 3h EMPRO DALI



TECHNICAL DATA SHEET

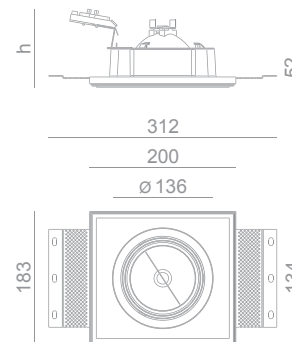
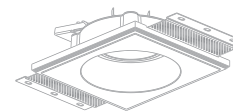
PIXO 111 IP20

INDOOR - INTERNO - INNENBEREICH - INTERIEUR - INTÉRIEUR - INTERIOR

Adjustable \odot 0° - 30°

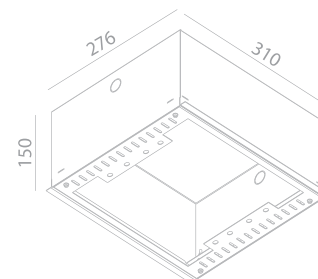
\square 187x204 mm

Material : CALCYT® plaster



INSTALLATION KIT

- STANDARD** (included) installation system for ceiling 9 - 12 - 15 mm
- REF N° 228 99 025** installation system for gypsum ceiling 25 mm
- REF N° 228 99 030** installation system for gypsum ceiling 30 mm
- REF N° 828 00 000** Concrete box Pixo 111 - Galvanized steel



BEAM ANGLES & OPTIONS

- STANDARD** (included) beam angle 36°
- REF N° 205 11 020** optional beam angle 20°
- REF N° 201 00 060** Frosted diffuser for 111 LED series

EMERGENCY UNITS

- REF N° 693 01 001** 1h basic + control LED
- REF N° 693 01 003** 3h basic + control LED
- REF N° 693 30 001** 1h EMPRO DALI
- REF N° 693 30 003** 3h EMPRO DALI

PIXO 111 LED 3000LM CRI 80

REF N°	2700°K	3000°K	4000°K
on/off	228 26 040	228 26 140	228 26 240
DIM 1-10V	228 66 040	228 66 140	228 66 240
DIM DALI	228 36 040	228 36 140	228 36 240

Xicato LED - 29,3W - 3000lm - 2 Step MacAdam
 \square - 230V/50Hz - CE - ∇ - A
 Beam angle 36° (option 20°) - Incl LED driver
 h = 153 mm

PIXO 111 LED 2000LM CRI 80

REF N°	2700°K	3000°K	4000°K
on/off	228 25 040	228 25 140	228 25 240
phase DIM	228 75 040	228 75 140	228 75 240
DIM 1-10V	228 65 040	228 65 140	228 65 240
DIM DALI	228 35 040	228 35 140	228 35 240

Xicato LED - 19,5W - 2000lm - 2 Step MacAdam
 \square - 230V/50Hz - CE - ∇ - A
 Beam 36° (option 20°) - Incl LED driver
 h = 153 mm

PIXO 111 LED 1300LM CRI 97

REF N°	2700°K	3000°K	4000°K
on/off	228 23 940	228 23 840	228 23 740
phase DIM	228 73 940	228 73 840	228 73 740
DIM 1-10V	228 63 940	228 63 840	228 63 740
DIM DALI	228 33 940	228 33 840	228 33 740

Xicato LED - 17,6W - 1300lm - 2 Step MacAdam
 \square - 230V/50Hz - CE - ∇ - A
 Beam angle 36° (option 20°) - Incl LED driver
 h = 153 mm

PIXO 111 LED 2000LM CRI 97

REF N°	2700°K	3000°K	4000°K
on/off	228 25 940	228 25 840	228 25 740
phase DIM	228 75 940	228 75 840	228 75 740
DIM 1-10V	228 65 940	228 65 840	228 65 740
DIM DALI	228 35 940	228 35 840	228 35 740

Xicato LED - 22,3W - 2000lm - 2 Step MacAdam
 \square - 230V/50Hz - CE - ∇ - A
 Beam angle 36° (option 20°) - Incl LED driver
 h = 153 mm

PIXO 111 AR

REF N° 228 13 100

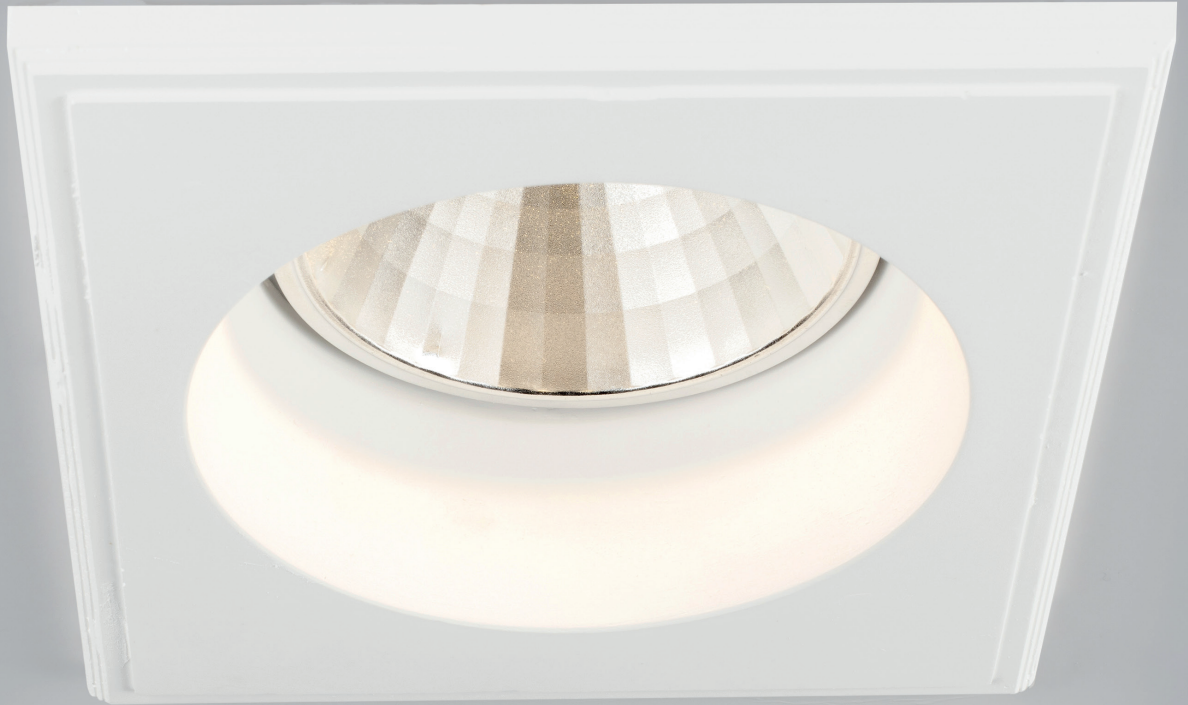
QR-LP 111 - 100W - G53 - 12V - A
 excl. transfo - A - A - A - A - A - A
 h = 107 mm

PIXO 111 CDM

REF N° 228 19 070 CDM-TC - G8.5

REF N° 228 12 070 CDM-R - GX8.5

35W or 70W - 230V/50Hz - A - excl. EVG
 h = 146 mm - A - A - A - A - A



TECHNICAL DATA SHEET

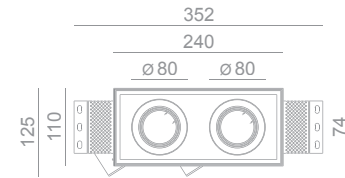
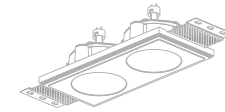
PIXO 2X50 IP20

INDOOR - INTERNO - INNENBEREICH - INTERIEUR - INTERIOR

Adjustable \odot 0° - 30°

\square 114x244 mm

Material : CALCYT® plaster



PIXO 2X50 LED WARMDIM	
WARMDIM : DIMS FROM 3000°K TO 2000°K	
REF N°	500LM CRI80
phase DIM	257 72 640
DIM 1-10V	257 62 640
DIM DALI	257 32 640
2x 6 W - 2x 500lm - 4 Step MacAdam	
\square - 230V/50Hz - CE - ∇ - A - B	
Incl. LED driver (phase DIM, 1-10V or DALI)	
Standard beam angle 36° (options 24°)	
h = 115 mm	

PIXO 2X50 LED 1300LM CRI 80			
REF N°	2700°K	3000°K	4000°K
phase DIM	257 73 040	257 73 140	257 73 240
DIM 1-10V	257 63 040	257 63 140	257 63 240
DIM DALI	257 33 040	257 33 140	257 33 240
2x Xicato LED - 2x 11,7 W - 2x 1300lm			
\square - 230V/50Hz - CE - ∇ - A			
Incl. LED driver (phase DIM, 1-10V or DALI)			
Standard beam angle 36° (options 12°, 24°)			
h = 150 mm			

PIXO 2X50 LED 700LM CRI 80			
REF N°	2700°K	3000°K	4000°K
phase DIM	257 72 040	257 72 140	257 72 240
DIM 1-10V	257 62 040	257 62 140	257 62 240
DIM DALI	257 32 040	257 32 140	257 32 240
2x Xicato LED - 2x 5,6 W - 2x 720lm			
\square - 230V/50Hz - CE - ∇ - A^+			
Incl. LED driver (phase DIM, 1-10V or DALI)			
Standard beam angle 36° (options 12°, 24°)			
h = 92 mm (phase DIM models beam 36°)			
h = 115 mm (all other models)			

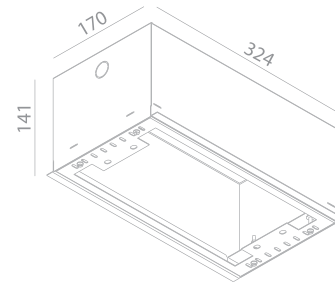
PIXO 2X50 LED 700LM CRI 97			
REF N°	2700°K	3000°K	4000°K
phase DIM	257 72 940	257 72 840	257 72 740
DIM 1-10V	257 62 940	257 62 840	257 62 740
DIM DALI	257 32 940	257 32 840	257 32 740
2x Xicato LED - 2x 7,4 W - 2x 720lm			
\square - 230V/50Hz - CE - ∇ - A^+			
Incl. LED driver (phase DIM, 1-10V or DALI)			
Standard beam angle 36° (options 12°, 24°)			
h = 115 mm (models beam angle 36°)			
h = 150 mm (models beam angle 12° or 24°)			

PIXO 2X50 HAL	
REF N° 257 10 050	
E 2x QR-CBC 51 - 50W - Gx5.3 - 12V	
E - CE - A - ∇ - D - 0.5m	
h = 92 mm - exclusive lamp and transfo	

PIXO 2X50 ES	
REF N° 257 11 050	
E 2x QPAR 16 - 50W - GZ10/GU10 - A	
E - CE - 230V/50Hz - ∇ - D - 0.5m	
h = 93 mm - exclusive lamp	

INSTALLATION KIT

- STANDARD** (included) installation system for ceiling 9 - 12 - 15 mm
- REF N° 257 99 025 installation system for gypsum ceiling 25 mm
- REF N° 257 99 030 installation system for gypsum ceiling 30 mm
- REF N° 856 00 000 Concrete box Pixo 2x50 - Galvanized steel



BEAM ANGLES

- STANDARD** (included) beam angle 36°
- REF N° 205 50 012 optional beam angle 12°
- REF N° 205 50 024 optional beam angle 24°

EMERGENCY UNITS

- REF N° 693 01 001 1h basic + control LED
- REF N° 693 01 003 3h basic + control LED
- REF N° 693 30 001 1h EMPRO DALI
- REF N° 693 30 003 3h EMPRO DALI

PIXO 2X50 IP20

ACCESSORIES - ACCESSORI - ZUBEHÖR - ACCESSOIRES - ACCESSOIRES - ACCESORIOS



STANDARD (included) 2 x LAMPHOLDER RING WHITE



REF N° 201 10 022 2 x LAMPHOLDER RING BLACK



REF N° 201 11 001
1 x EXTENSION S WHITE
Ø 56 x 26 mm ⌀ 0° - 10°



REF N° 201 12 001
1 x EXTENSION M WHITE
Ø 56 x 36 mm ⌀ 0° - 10°



REF N° 201 13 001
1 x EXTENSION L WHITE
Ø 56 x 68 mm ⌀ 0° - 10°



REF N° 201 11 002
1 x EXTENSION S BLACK
Ø 56 x 26 mm ⌀ 0° - 10°



REF N° 201 12 002
1 x EXTENSION M BLACK
Ø 56 x 36 mm ⌀ 0° - 10°



REF N° 201 13 002
1 x EXTENSION L BLACK
Ø 56 x 68 mm ⌀ 0° - 10°



REF N° 201 51 001
1 x FROSTED PLEXI WHITE
Only for LED lampsources



REF N° 201 52 001
1 x HONEYCOMB WHITE
Only for LED lampsources



REF N° 201 53 001
1 x SPHERICAL GLASS LENS
IN WHITE RING



REF N° 201 51 002
1 x FROSTED PLEXI BLACK
Only for LED lampsources



REF N° 201 52 002
1 x HONEYCOMB BLACK
Only for LED lampsources



REF N° 201 53 002
1 x SPHERICAL GLASS LENS
IN BLACK RING

TECHNICAL DATA SHEET

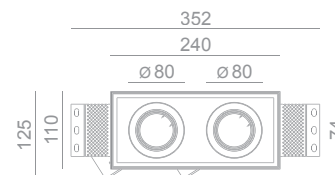
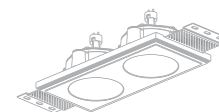
PIXO 2X50 IP54

BATHROOM - STANZA DA BAGNO - BADEZIMMER - BADKAMER - SALLE DE BAINS - CUARTO DE BAÑO

Fix (not adjustable) 0° - 0°

☐ 114x244 mm

Material : CALCYT® plaster



PIXO 2X50 LED WARMDIM	
WARMDIM : DIMS FROM 3000°K TO 2000°K	
REF N°	500LM CRI80
phase DIM	257 72 641
DIM 1-10V	257 62 641
DIM DALI	257 32 641
2x 6 W - 2x 500lm - 4 Step MacAdam	
☐ - 230V/50Hz - - - -	
Incl. LED driver (phase DIM, 1-10V or DALI)	
Standard beam angle 36° (options 24°)	
h = 115 mm	

PIXO 2X50 LED 1300LM CRI 80			
REF N°	2700°K	3000°K	4000°K
phase DIM	257 73 041	257 73 141	257 73 241
DIM 1-10V	257 63 041	257 63 141	257 63 241
DIM DALI	257 33 041	257 33 141	257 33 241
2x Xicato LED - 2x 11,7 W - 2x 1300lm			
☐ - 230V/50Hz - - - -			
Incl. LED driver (phase DIM, 1-10V or DALI)			
Standard beam angle 36° (options 12°, 24°)			
h = 150 mm			

PIXO 2X50 LED 700LM CRI 80			
REF N°	2700°K	3000°K	4000°K
phase DIM	257 72 041	257 72 141	257 72 241
DIM 1-10V	257 62 041	257 62 141	257 62 241
DIM DALI	257 32 041	257 32 141	257 32 241
2x Xicato LED - 2x 5,6 W - 2x 720lm			
☐ - 230V/50Hz - - - -			
Incl. LED driver (phase DIM, 1-10V or DALI)			
Standard beam angle 36° (options 12°, 24°)			
h = 92 mm (phase DIM models beam 36°)			
h = 115 mm (all other models)			

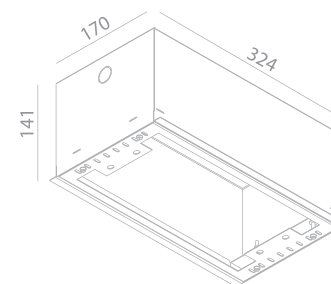
PIXO 2X50 LED 700LM CRI 97			
REF N°	2700°K	3000°K	4000°K
phase DIM	257 72 941	257 72 841	257 72 741
DIM 1-10V	257 62 941	257 62 841	257 62 741
DIM DALI	257 32 941	257 32 841	257 32 741
2x Xicato LED - 2x 7,4 W - 2x 720lm			
☐ - 230V/50Hz - - - -			
Incl. LED driver (phase DIM, 1-10V or DALI)			
Standard beam angle 36° (options 12°, 24°)			
h = 115 mm (models beam angle 36°)			
h = 150 mm (models beam angle 12° or 24°)			

PIXO 2X50 HAL	
REF N° 257 10 051	
☐ 2x QR-CBC 51 - 50W - Gx5.3 - 12V	
☐ - - - - -	
h = 92 mm - exclusive lamp and transfo	

PIXO 2X50 ES	
REF N° 257 11 051	
☐ 2x QPAR 16 - 50W - GZ10/GU10 -	
☐ - - 230V/50Hz - - -	
h = 93 mm - exclusive lamp	

INSTALLATION KIT

- STANDARD** (included) installation system for ceiling 9 - 12 - 15 mm
- REF N° 257 99 025** installation system for gypsum ceiling 25 mm
- REF N° 257 99 030** installation system for gypsum ceiling 30 mm
- REF N° 856 00 000** Concrete box Pixo 2x50 - Galvanized steel



BEAM ANGLES

- STANDARD** (included) beam angle 36°
- REF N° 205 50 012** optional beam angle 12°
- REF N° 205 50 024** optional beam angle 24°

EMERGENCY UNITS

- REF N° 693 01 001** 1h basic + control LED
- REF N° 693 01 003** 3h basic + control LED
- REF N° 693 30 001** 1h EMPRO DALI
- REF N° 693 30 003** 3h EMPRO DALI



TECHNICAL DATA SHEET

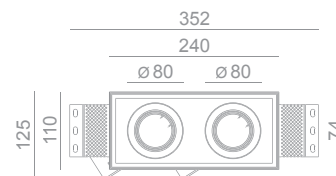
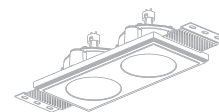
PIXO 2X50 IP54

OUTDOOR - ESTERNO - AUßENBEREICH - EXTERIEUR - EXTÉRIEUR - EXTERIOR

Fix (not adjustable) 0° - 0°

114x244 mm

Material : waterproof CALCYT+®



PIXO 2X50 LED WARMDIM

WARMDIM : DIMS FROM 3000°K TO 2000°K

REF N°	500LM CRI80
phase DIM	257 72 645
DIM 1-10V	257 62 645
DIM DALI	257 32 645

2x 6 W - 2x 500lm - 4 Step MacAdam

☐ - 230V/50Hz - CE - ▽ - ⚡ - B
Incl. LED driver (phase DIM, 1-10V or DALI)
Standard beam angle 36° (options 24°)
h = 115 mm

PIXO 2X50 LED 1300LM CRI 80

REF N°	2700°K	3000°K	4000°K
phase DIM	257 73 045	257 73 145	257 73 245
DIM 1-10V	257 63 045	257 63 145	257 63 245
DIM DALI	257 33 045	257 33 145	257 33 245

2x Xicato LED - 2x 11,7 W - 2x 1300lm

☐ - 230V/50Hz - CE - ▽ - ⚡ - A
Incl. LED driver (phase DIM, 1-10V or DALI)
Standard beam angle 36° (options 12°, 24°)
h = 150 mm

PIXO 2X50 LED 700LM CRI 80

REF N°	2700°K	3000°K	4000°K
phase DIM	257 72 045	257 72 145	257 72 245
DIM 1-10V	257 62 045	257 62 145	257 62 245
DIM DALI	257 32 045	257 32 145	257 32 245

2x Xicato LED - 2x 5,6 W - 2x 720lm

☐ - 230V/50Hz - CE - ▽ - ⚡ - A+
Incl. LED driver (phase DIM, 1-10V or DALI)
Standard beam angle 36° (options 12°, 24°)
h = 92 mm (phase DIM models beam 36°)
h = 115 mm (all other models)

PIXO 2X50 LED 700LM CRI 97

REF N°	2700°K	3000°K	4000°K
phase DIM	257 72 945	257 72 845	257 72 745
DIM 1-10V	257 62 945	257 62 845	257 62 745
DIM DALI	257 32 945	257 32 845	257 32 745

2x Xicato LED - 2x 7,4 W - 2x 720lm

☐ - 230V/50Hz - CE - ▽ - ⚡ - A
Incl. LED driver (phase DIM, 1-10V or DALI)
Standard beam angle 36° (options 12°, 24°)
h = 115 mm (models beam angle 36°)
h = 150 mm (models beam angle 12° or 24°)

PIXO 2X50 HAL

REF N° 257 10 055

☑ 2x QR-CBC 51 - 50W - Gx5.3 - 12V
☑ - CE - ⚡ - ▽ - (0.5m) - D
h = 92 mm - exclusive lamp and transfo

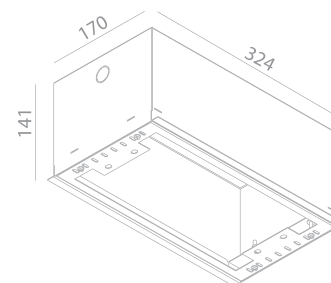
PIXO 2X50 ES

REF N° 257 11 055

☑ 2x QPAR 16 - 50W - GZ10/GU10 - ⚡
☑ - CE - 230V/50Hz - ▽ - (0.5m) - D
h = 93 mm - exclusive lamp

INSTALLATION KIT

- STANDARD** (included) installation system for ceiling 9 - 12 - 15 mm
- REF N° 257 99 025 installation system for gypsum ceiling 25 mm
- REF N° 257 99 030 installation system for gypsum ceiling 30 mm
- REF N° 856 00 000 Concrete box Pixo 2x50 - Galvanized steel



BEAM ANGLES

- STANDARD** (included) beam angle 36°
- REF N° 205 50 012 optional beam angle 12°
- REF N° 205 50 024 optional beam angle 24°

EMERGENCY UNITS

- REF N° 693 01 001 1h basic + control LED
- REF N° 693 01 003 3h basic + control LED
- REF N° 693 30 001 1h EMPRO DALI
- REF N° 693 30 003 3h EMPRO DALI

TECHNICAL DATA SHEET

PIXO R 50 IP20

INDOOR - INTERNO - INNENBEREICH - INTERIEUR - INTÉRIEUR - INTERIOR

Adjustable \odot 0° - 30°

\square Ø100 mm

Material : CALCYT® plaster

PIXO R 50 LED 500LM CRI 80 REMOTE DRIVER WARMDIM

WARMDIM : DIMS FROM 3000°K TO 2000°K

REF N° 270 29 640

6W - 500lm - 4 Step MacAdam

\odot - ∇ - \square - \square - \square - \square - Excl. LED driver

Requires remote LED driver @ 350 mA

Standard beam angle 36° (options 24°)

h = 123 mm

PIXO R 50 LED 700LM CRI 80 REMOTE DRIVER

REF N° 270 29 040 2700K

REF N° 270 29 140 3000K

REF N° 270 29 240 4000K

Xicato LED - 5,6W - 720lm - 2 Step MacAdam

\odot - ∇ - \square - \square - \square - Excl. LED driver

Requires remote LED driver @ 350 mA

Standard beam angle 36° (options 12°, 24°)

h = 123 mm

PIXO R 50 HAL

REF N° 270 10 050

\square QR-CBC 51 - 50W - Gx5.3 - 12V

\odot - \odot - \odot - ∇ - \square - \square - \square

h = 123 mm - exclusive lamp and transfo

REMOTE LED DRIVER ON/OFF

REF N° 697 00 006 8W

REF N° 697 00 015 15W

REF N° 697 00 025 25W

230V/50Hz - \square - current controlled

∇ - \odot - IP20 - 350mA - not dimmable

REMOTE LED DRIVER DIM

REF N° 697 60 006 6W 1-10V

REF N° 697 60 015 15W 1-10V

REF N° 697 30 015 15W DALI

REF N° 697 60 025 25W 1-10V DALI PUSH

REF N° 697 60 040 40W 1-10V DALI PUSH

REF N° 697 60 150 150W 1-10V

REF N° 697 30 150 150W DALI

REF N° 697 70 009 9W PHASE DIM (tr. edge)

REF N° 697 70 017 17W PHASE DIM

230V/50Hz - \square - current controlled

∇ - \odot - IP20 - 350mA - dimmable

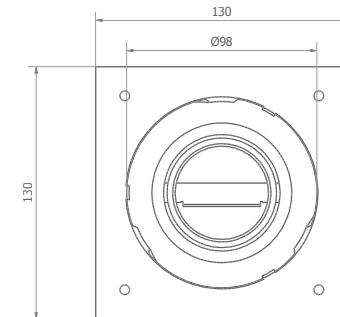
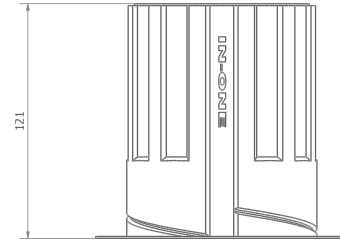
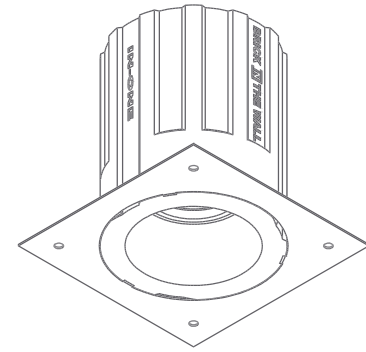
PIXO R 50 ES

REF N° 270 11 050

\square QPAR 16 - 50W - GZ10/GU10 - \square

\odot - \odot - 230V/50Hz - ∇ - \square - \square - \square

h = 123 mm - exclusive lamp



INSTALLATION KIT

STANDARD (included) installation system for concrete ceiling height adjustable

BEAM ANGLES

STANDARD (included) beam angle 36°

REF N° 205 50 012 optional beam angle 12°

REF N° 205 50 024 optional beam angle 24°



TECHNICAL DATA SHEET

PIXO R 50 IP54

OUTDOOR - ESTERNO - AUßENBEREICH - EXTERIEUR - EXTÉRIEUR - EXTERIOR

Fix (not adjustable) 0° - 0°

☐ Ø100 mm

Material : waterproof CALCYT+®

PIXO R 50 LED 500LM CRI 80 REMOTE DRIVER WARMDIM

WARMDIM : DIMS FROM 3000°K TO 2000°K

REF N° 270 29 645

6W - 500lm - 4 Step MacAdam

☐ - ▽ - ☐ - ☐ - ☐ - Excl. LED driver

Requires remote LED driver @ 350 mA

Standard beam angle 36° (options 24°)

h = 123 mm

PIXO R 50 LED 700LM CRI 80 REMOTE DRIVER

REF N° 270 29 045 2700K

REF N° 270 29 145 3000K

REF N° 270 29 245 4000K

Xicato LED - 5,6W - 720lm - 2 Step MacAdam

☐ - ▽ - ☐ - A+ - Excl. LED driver

Requires remote LED driver @ 350 mA

Standard beam angle 36° (options 12°, 24°)

h = 123 mm

PIXO R 50 HAL

REF N° 270 10 055

☐ QR-CBC 51 - 50W - Gx5.3 - 12V

☐ - ☐ - ☐ - ▽ - ☐ - ☐ - ☐ - ☐

h = 123 mm - exclusive lamp and transfo

REMOTE LED DRIVER ON/OFF

REF N° 697 00 006 8W

REF N° 697 00 015 15W

REF N° 697 00 025 25W

230V/50Hz - ☐ - current controlled

▽ - ☐ - IP20 - 350mA - not dimmable

REMOTE LED DRIVER DIM

REF N° 697 60 006 6W 1-10V

REF N° 697 60 015 15W 1-10V

REF N° 697 30 015 15W DALI

REF N° 697 60 025 25W 1-10V DALI PUSH

REF N° 697 60 040 40W 1-10V DALI PUSH

REF N° 697 60 150 150W 1-10V

REF N° 697 30 150 150W DALI

REF N° 697 70 009 9W PHASE DIM (tr. edge)

REF N° 697 70 017 17W PHASE DIM

230V/50Hz - ☐ - current controlled

▽ - ☐ - IP20 - 350mA - dimmable

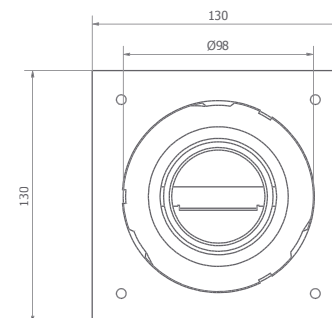
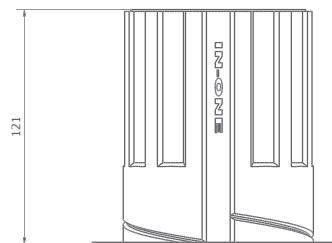
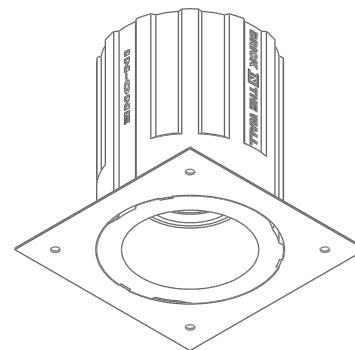
PIXO R 50 ES

REF N° 270 11 055

☐ QPAR 16 - 50W - GZ10/GU10 - ☐

☐ - ☐ - 230V/50Hz - ▽ - ☐ - ☐ - ☐

h = 123 mm - exclusive lamp



INSTALLATION KIT

STANDARD (included) installation system for concrete ceiling
height adjustable

BEAM ANGLES

STANDARD (included) beam angle 36°

REF N° 205 50 012 optional beam angle 12°

REF N° 205 50 024 optional beam angle 24°

TECHNICAL DATA SHEET

PIXO R 50 IP54

BATHROOM - STANZA DA BAGNO - BADEZIMMER - BADKAMER - SALLE DE BAINS - CUARTO DE BAÑO

Fix (not adjustable) 0° - 0°

☐ Ø100 mm

Material : CALCYT® plaster

PIXO R 50 LED 500LM CRI 80 REMOTE DRIVER WARMDIM

WARMDIM : DIMS FROM 3000°K TO 2000°K

REF N° 270 29 641

6 W - 500lm - 4 Step MacAdam

☐ - ☐ - ☐ - ☐ - ☐ - Excl. LED driver

Requires remote LED driver @ 350 mA

Standard beam angle 36° (options 24°)

h = 123 mm

PIXO R 50 LED 700LM CRI 80 REMOTE DRIVER

REF N° 270 29 041 2700K

REF N° 270 29 141 3000K

REF N° 270 29 241 4000K

Xicato LED - 5,6W - 720lm - 2 Step MacAdam

☐ - ☐ - ☐ - ☐ - ☐ - Excl. LED driver

Requires remote LED driver @ 350 mA

Standard beam angle 36° (options 12°, 24°)

h = 123 mm

PIXO R 50 HAL

REF N° 270 10 051

☐ QR-CBC 51 - 50W - Gx5.3 - 12V

☐ - ☐ - ☐ - ☐ - ☐ - ☐ - ☐ - ☐

h = 123 mm - exclusive lamp and transfo

REMOTE LED DRIVER ON/OFF

REF N° 697 00 006 8W

REF N° 697 00 015 15W

REF N° 697 00 025 25W

230V/50Hz - ☐ - current controlled

☐ - ☐ - IP20 - 350mA - not dimmable

REMOTE LED DRIVER DIM

REF N° 697 60 006 6W 1-10V

REF N° 697 60 015 15W 1-10V

REF N° 697 30 015 15W DALI

REF N° 697 60 025 25W 1-10V DALI PUSH

REF N° 697 60 040 40W 1-10V DALI PUSH

REF N° 697 60 150 150W 1-10V

REF N° 697 30 150 150W DALI

REF N° 697 70 009 9W PHASE DIM (tr. edge)

REF N° 697 70 017 17W PHASE DIM

230V/50Hz - ☐ - current controlled

☐ - ☐ - IP20 - 350mA - dimmable

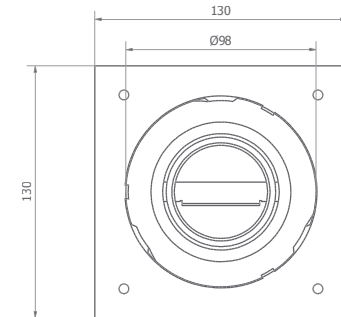
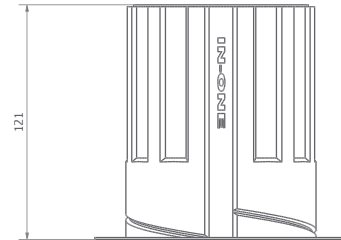
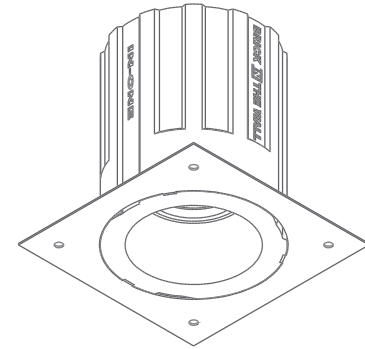
PIXO R 50 ES

REF N° 270 11 051

☐ QPAR 16 - 50W - GZ10/GU10 - ☐

☐ - ☐ - 230V/50Hz - ☐ - ☐ - ☐ - ☐

h = 123 mm - exclusive lamp



INSTALLATION KIT

STANDARD (included) installation system for concrete ceiling
height adjustable

BEAM ANGLES

STANDARD (included) beam angle 36°

REF N° 205 50 012 optional beam angle 12°

REF N° 205 50 024 optional beam angle 24°

