

TECHNICAL DATA SHEET

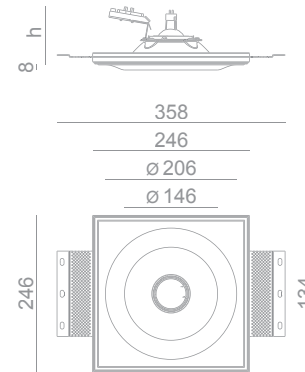
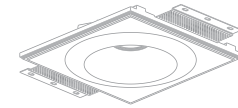
TOUCH-IT 50 IP54

BATHROOM - STANZA DA BAGNO - BADEZIMMER - BADKAMER - SALLE DE BAINS - CUARTO DE BAÑO

Fix (not adjustable) 0° - 0°

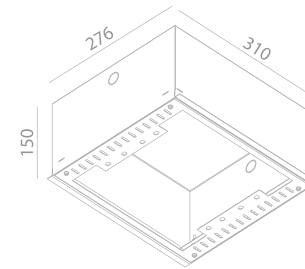
□ 250x250 mm

Material : CALCYT® plaster



INSTALLATION KIT

- STANDARD** (included) installation system for ceiling 9 - 12 - 15 mm
REF N° 234 99 025 installation system for gypsum ceiling 25 mm
REF N° 234 99 030 installation system for gypsum ceiling 30 mm
REF N° 834 00 000 Concrete box Touch-it 50 - Galvanized steel



BEAM ANGLES

- STANDARD** (included) beam angle 36°
REF N° 205 50 012 optional beam angle 12°
REF N° 205 50 024 optional beam angle 24°

EMERGENCY UNITS

- REF N° 693 01 001** 1h basic + control LED
REF N° 693 01 003 3h basic + control LED
REF N° 693 30 001 1h EMPRO DALI
REF N° 693 30 003 3h EMPRO DALI

TOUCH-IT 50 LED WARMDIM

WARMDIM : DIMS FROM 3000°K TO 2000°K

REF N°	500LM CRI80	900LM CRI90
phase DIM	234 72 641	234 73 641
DIM 1-10V	234 62 641	234 63 641
DIM DALI	234 32 641	234 33 641

Xicato LED - 12,8W (900lm) - 4 Step MacAdam
 □ - 230V/50Hz - CE - ▽ - ⚡ - B
 Incl. LED driver (phase DIM, 1-10V or DALI)
 Standard beam angle 36° (options 24°)
 h = 115 mm (500lm) - h = 150 mm (900lm)

TOUCH-IT 50 LED 1300LM CRI 80

REF N°	2700°K	3000°K	4000°K
phase DIM	234 73 041	234 73 141	234 73 241
DIM 1-10V	234 63 041	234 63 141	234 63 241
DIM DALI	234 33 041	234 33 141	234 33 241

Xicato LED - 11,7W - 1300lm - 2 Step MacAdam
 □ - 230V/50Hz - CE - ▽ - ⚡ - A
 Incl. LED driver (phase DIM, 1-10V or DALI)
 Standard beam angle 36° (options 12°, 24°)
 h = 150 mm

TOUCH-IT 50 LED 700LM CRI 80

REF N°	2700°K	3000°K	4000°K
phase DIM	234 72 041	234 72 141	234 72 241
DIM 1-10V	234 62 041	234 62 141	234 62 241
DIM DALI	234 32 041	234 32 141	234 32 241

Xicato LED - 5,6 W - 720lm - 2 Step MacAdam
 □ - 230V/50Hz - CE - ▽ - ⚡ - A+
 Incl. LED driver (phase DIM, 1-10V or DALI)
 Standard beam angle 36° (options 12°, 24°)
 h = 92 mm (phase DIM models beam 36°)
 h = 115 mm (all other models)

TOUCH-IT 50 LED 700LM CRI 97

REF N°	2700°K	3000°K	4000°K
phase DIM	234 72 941	234 72 841	234 72 741
DIM 1-10V	234 62 941	234 62 841	234 62 741
DIM DALI	234 32 941	234 32 841	234 32 741

Xicato LED - 7,4 W - 720lm - 2 Step MacAdam
 □ - 230V/50Hz - CE - ▽ - ⚡ - A
 Incl. LED driver (phase DIM, 1-10V or DALI)
 Standard beam angle 36° (options 12°, 24°)
 h = 115 mm (models beam angle 36°)
 h = 150 mm (models beam angle 12° or 24°)

TOUCH-IT 50 HAL

REF N° 234 10 051

⚡ QR-CBC 51 - 50W - Gx5.3 - 12V
 ◊ - CE - ⚡ - ▽ - (0.5m) - D
 h = 92 mm - exclusive lamp and transfo

TOUCH-IT 50 ES

REF N° 234 11 051

⚡ QPAR 16 - 50W - GZ10/GU10 - ⚡
 ◊ - CE - 230V/50Hz - ▽ - (0.5m) - D
 h = 93 mm - exclusive lamp



TECHNICAL DATA SHEET

TOUCH-IT 50 IP54

OUTDOOR - ESTERNO - AUßENBEREICH - EXTERIEUR - EXTÉRIEUR - EXTERIOR

Fix (not adjustable) 0° - 0°

□ 250x250 mm

Material : waterproof CALCYT+®

TOUCH-IT 50 LED WARMDIM

WARMDIM : DIMS FROM 3000°K TO 2000°K

REF N°	500LM CRI80	900LM CRI90
phase DIM	234 72 645	234 73 645
DIM 1-10V	234 62 645	234 63 645
DIM DALI	234 32 645	234 33 645

6W (500lm) - 12,8W (900lm) - 4 Step MacAdam
 □ - 230V/50Hz - - - -
 Incl. LED driver (phase DIM, 1-10V or DALI)
 Standard beam angle 36° (options 24°)
 h = 115 mm (500lm) - h = 150 mm (900lm)

TOUCH-IT 50 LED 1300LM CRI 80

REF N°	2700°K	3000°K	4000°K
phase DIM	234 73 045	234 73 145	234 73 245
DIM 1-10V	234 63 045	234 63 145	234 63 245
DIM DALI	234 33 045	234 33 145	234 33 245

Xicato LED - 11,7W - 1300lm - 2 Step MacAdam
 □ - 230V/50Hz - - - -
 Incl. LED driver (phase DIM, 1-10V or DALI)
 Standard beam angle 36° (options 12°, 24°)
 h = 150 mm

TOUCH-IT 50 LED 700LM CRI 80

REF N°	2700°K	3000°K	4000°K
phase DIM	234 72 045	234 72 145	234 72 245
DIM 1-10V	234 62 045	234 62 145	234 62 245
DIM DALI	234 32 045	234 32 145	234 32 245

Xicato LED - 5,6 W - 720lm - 2 Step MacAdam
 □ - 230V/50Hz - - - -
 Incl. LED driver (phase DIM, 1-10V or DALI)
 Standard beam angle 36° (options 12°, 24°)
 h = 92 mm (phase DIM models beam 36°)
 h = 115 mm (all other models)

TOUCH-IT 50 LED 700LM CRI 97

REF N°	2700°K	3000°K	4000°K
phase DIM	234 72 945	234 72 845	234 72 745
DIM 1-10V	234 62 945	234 62 845	234 62 745
DIM DALI	234 32 945	234 32 845	234 32 745

Xicato LED - 7,4 W - 720lm - 2 Step MacAdam
 □ - 230V/50Hz - - - -
 Incl. LED driver (phase DIM, 1-10V or DALI)
 Standard beam angle 36° (options 12°, 24°)
 h = 115 mm (models beam angle 36°)
 h = 150 mm (models beam angle 12° or 24°)

TOUCH-IT 50 HAL

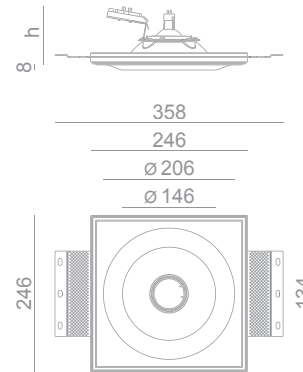
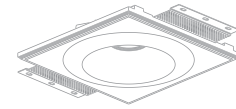
REF N° 234 10 055

QR-CBC 51 - 50W - Gx5,3 - 12V
 - - - -
 h = 92 mm - exclusive lamp and transfo

TOUCH-IT 50 ES

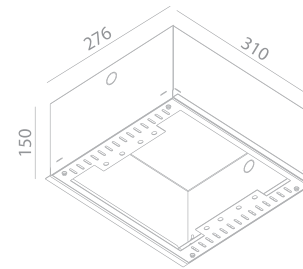
REF N° 234 11 055

QPAR 16 - 50W - GZ10/GU10 -
 - - 230V/50Hz - - -
 h = 93 mm - exclusive lamp



INSTALLATION KIT

- STANDARD** (included) installation system for ceiling 9 - 12 - 15 mm
- REF N° 234 99 025 installation system for gypsum ceiling 25 mm
- REF N° 234 99 030 installation system for gypsum ceiling 30 mm
- REF N° 834 00 000 Concrete box Touch-it 50 - Galvanized steel



BEAM ANGLES

- STANDARD** (included) beam angle 36°
- REF N° 205 50 012 optional beam angle 12°
- REF N° 205 50 024 optional beam angle 24°

EMERGENCY UNITS

- REF N° 693 01 001 1h basic + control LED
- REF N° 693 01 003 3h basic + control LED
- REF N° 693 30 001 1h EMPRO DALI
- REF N° 693 30 003 3h EMPRO DALI

TECHNICAL DATA SHEET

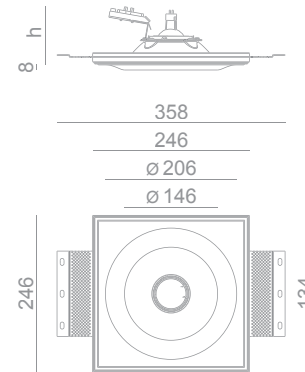
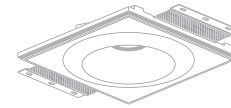
TOUCH-IT 50 IP20

INDOOR - INTERNO - INNENBEREICH - INTERIEUR - INTÉRIEUR - INTERIOR

Adjustable \odot 0° - 30°

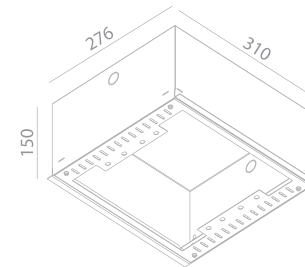
\square 250x250 mm

Material : CALCYT® plaster



INSTALLATION KIT

- STANDARD** (included) installation system for ceiling 9 - 12 - 15 mm
REF N° 234 99 025 installation system for gypsum ceiling 25 mm
REF N° 234 99 030 installation system for gypsum ceiling 30 mm
REF N° 834 00 000 Concrete box Touch-it 50 - Galvanized steel



BEAM ANGLES

- STANDARD** (included) beam angle 36°
REF N° 205 50 012 optional beam angle 12°
REF N° 205 50 024 optional beam angle 24°

EMERGENCY UNITS

- REF N° 693 01 001** 1h basic + control LED
REF N° 693 01 003 3h basic + control LED
REF N° 693 30 001 1h EMPRO DALI
REF N° 693 30 003 3h EMPRO DALI

TOUCH-IT 50 LED WARMDIM

WARMDIM : DIMS FROM 3000°K TO 2000°K

REF N°	500LM CRI80	900LM CRI90
phase DIM	234 72 640	234 73 640
DIM 1-10V	234 62 640	234 63 640
DIM DALI	234 32 640	234 33 640

6W (500lm) - 12,8W (900lm) - 4 Step MacAdam
 \square - 230V/50Hz - CE - ∇ - A - B
 Incl. LED driver (phase DIM, 1-10V or DALI)
 Standard beam angle 36° (options 24°)
 h = 115 mm (500lm) - h = 150 mm (900lm)

TOUCH-IT 50 LED 1300LM CRI 80

REF N°	2700°K	3000°K	4000°K
phase DIM	234 73 040	234 73 140	234 73 240
DIM 1-10V	234 63 040	234 63 140	234 63 240
DIM DALI	234 33 040	234 33 140	234 33 240

Xicato LED - 11,7W - 1300lm - 2 Step MacAdam
 \square - 230V/50Hz - CE - ∇ - A
 Incl. LED driver (phase DIM, 1-10V or DALI)
 Standard beam angle 36° (options 12°, 24°)
 h = 150 mm

TOUCH-IT 50 LED 700LM CRI 80

REF N°	2700°K	3000°K	4000°K
phase DIM	234 72 040	234 72 140	234 72 240
DIM 1-10V	234 62 040	234 62 140	234 62 240
DIM DALI	234 32 040	234 32 140	234 32 240

Xicato LED - 5,6 W - 720lm - 2 Step MacAdam
 \square - 230V/50Hz - CE - ∇ - A - A^+
 Incl. LED driver (phase DIM, 1-10V or DALI)
 Standard beam angle 36° (options 12°, 24°)
 h = 92 mm (phase DIM models beam 36°)
 h = 115 mm (all other models)

TOUCH-IT 50 LED 700LM CRI 97

REF N°	2700°K	3000°K	4000°K
phase DIM	234 72 940	234 72 840	234 72 740
DIM 1-10V	234 62 940	234 62 840	234 62 740
DIM DALI	234 32 940	234 32 840	234 32 740

Xicato LED - 7,4 W - 720lm - 2 Step MacAdam
 \square - 230V/50Hz - CE - ∇ - A - A^+
 Incl. LED driver (phase DIM, 1-10V or DALI)
 Standard beam angle 36° (options 12°, 24°)
 h = 115 mm (models beam angle 36°)
 h = 150 mm (models beam angle 12° or 24°)

TOUCH-IT 50 HAL

REF N° 234 10 050

QR-CBC 51 - 50W - Gx5,3 - 12V
 CE - ∇ - D - D
 h = 92 mm - exclusive lamp and transfo

TOUCH-IT 50 ES

REF N° 234 11 050

QPAR 16 - 50W - GZ10/GU10 - A
 CE - 230V/50Hz - ∇ - D - D
 h = 93 mm - exclusive lamp

TOUCH-IT 50 IP20

ACCESSORIES - ACCESSORI - ZUBEHÖR - ACCESSOIRES - ACCESORIOS



STANDARD (included) LAMPHOLDER RING WHITE



REF N° 201 10 002 LAMPHOLDER RING BLACK



REF N° 201 11 001
EXTENSION S WHITE
Ø 56 x 26 mm ⊕ 0° - 10°



REF N° 201 12 001
EXTENSION M WHITE
Ø 56 x 36 mm ⊕ 0° - 10°



REF N° 201 13 001
EXTENSION L WHITE
Ø 56 x 68 mm ⊕ 0° - 10°



REF N° 201 11 002
EXTENSION S BLACK
Ø 56 x 26 mm ⊕ 0° - 10°



REF N° 201 12 002
EXTENSION M BLACK
Ø 56 x 36 mm ⊕ 0° - 10°



REF N° 201 13 002
EXTENSION L BLACK
Ø 56 x 68 mm ⊕ 0° - 10°



REF N° 201 51 001
FROSTED PLEXI WHITE
Only for LED lampsources



REF N° 201 52 001
HONEYCOMB WHITE
Only for LED lampsources



REF N° 201 53 001
SPHERICAL GLASS LENS
IN WHITE RING



REF N° 201 51 002
FROSTED PLEXI BLACK
Only for LED lampsources



REF N° 201 52 002
HONEYCOMB BLACK
Only for LED lampsources



REF N° 201 53 002
SPHERICAL GLASS LENS
IN BLACK RING

TECHNICAL DATA SHEET

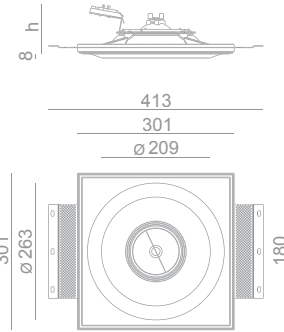
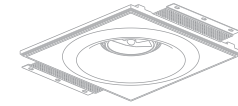
TOUCH-IT 111 IP20

INDOOR - INTERNO - INNENBEREICH - INTERIEUR - INTÉRIEUR - INTERIOR

Adjustable \odot 0° - 30°

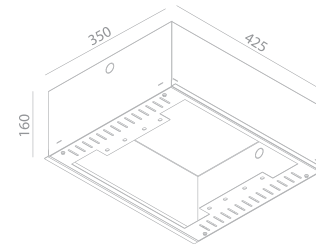
\square 305x305 mm

Material : CALCYT® plaster



INSTALLATION KIT

- STANDARD** (included) installation system for ceiling 9 - 12 - 15 mm
- REF N° 233 99 025** installation system for gypsum ceiling 25 mm
- REF N° 233 99 030** installation system for gypsum ceiling 30 mm
- REF N° 833 00 000** Concrete box Touch-it 111 - Galvanized steel



BEAM ANGLES & OPTIONS

- STANDARD** (included) beam angle 36°
- REF N° 205 11 020** optional beam angle 20°
- REF N° 201 00 060** Frosted diffusor for 111 LED series

EMERGENCY UNITS

- REF N° 693 01 001** 1h basic + control LED
- REF N° 693 01 003** 3h basic + control LED
- REF N° 693 30 001** 1h EMPRO DALI
- REF N° 693 30 003** 3h EMPRO DALI

TOUCH-IT 111 LED 3000LM CRI 80

REF N°	2700°K	3000°K	4000°K
on/off	233 26 040	233 26 140	233 26 240
phase DIM	233 66 040	233 66 140	233 66 240
DIM 1-10V	233 36 040	233 36 140	233 36 240
DIM DALI			

Xicato LED - 29,3W - 3000lm - 2 Step MacAdam
 \square - 230V/50Hz - CE - ∇ - A
 Beam angle 36° (option 20°) - Incl LED driver
 h = 140 mm

TOUCH-IT 111 LED 2000LM CRI 80

REF N°	2700°K	3000°K	4000°K
on/off	233 25 040	233 25 140	233 25 240
phase DIM	233 75 040	233 75 140	233 75 240
DIM 1-10V	233 65 040	233 65 140	233 65 240
DIM DALI	233 35 040	233 35 140	233 35 240

Xicato LED - 19,5W - 2000lm - 2 Step MacAdam
 \square - 230V/50Hz - CE - ∇ - A
 Beam 36° (option 20°) - Incl LED driver
 h = 140 mm

TOUCH-IT 111 LED 1300LM CRI 97

REF N°	2700°K	3000°K	4000°K
on/off	233 23 940	233 23 840	233 23 740
phase DIM	233 73 940	233 73 840	233 73 740
DIM 1-10V	233 63 940	233 63 840	233 63 740
DIM DALI	233 33 940	233 33 840	233 33 740

Xicato LED - 17,6W - 1300lm - 2 Step MacAdam
 \square - 230V/50Hz - CE - ∇ - A
 Beam angle 36° (option 20°) - Incl LED driver
 h = 140 mm

TOUCH-IT 111 LED 2000LM CRI 97

REF N°	2700°K	3000°K	4000°K
on/off	233 25 940	233 25 840	233 25 740
phase DIM	233 75 940	233 75 840	233 75 740
DIM 1-10V	233 65 940	233 65 840	233 65 740
DIM DALI	233 35 940	233 35 840	233 35 740

Xicato LED - 22,3W - 2000lm - 2 Step MacAdam
 \square - 230V/50Hz - CE - ∇ - A
 Beam angle 36° (option 20°) - Incl LED driver
 h = 140 mm

TOUCH-IT 111 AR

REF N° 233 13 100

QR-LP 111 - 100W - G53 - 12V - A
 excl. transfo - CE - D
 h = 95 mm

TOUCH-IT 111 CDM

REF N° 233 19 070 CDM-TC - G8.5

REF N° 233 12 070 CDM-R - GX8.5

35W or 70W - 230V/50Hz - A - excl. EVG
 h = 133 mm - CE - B

