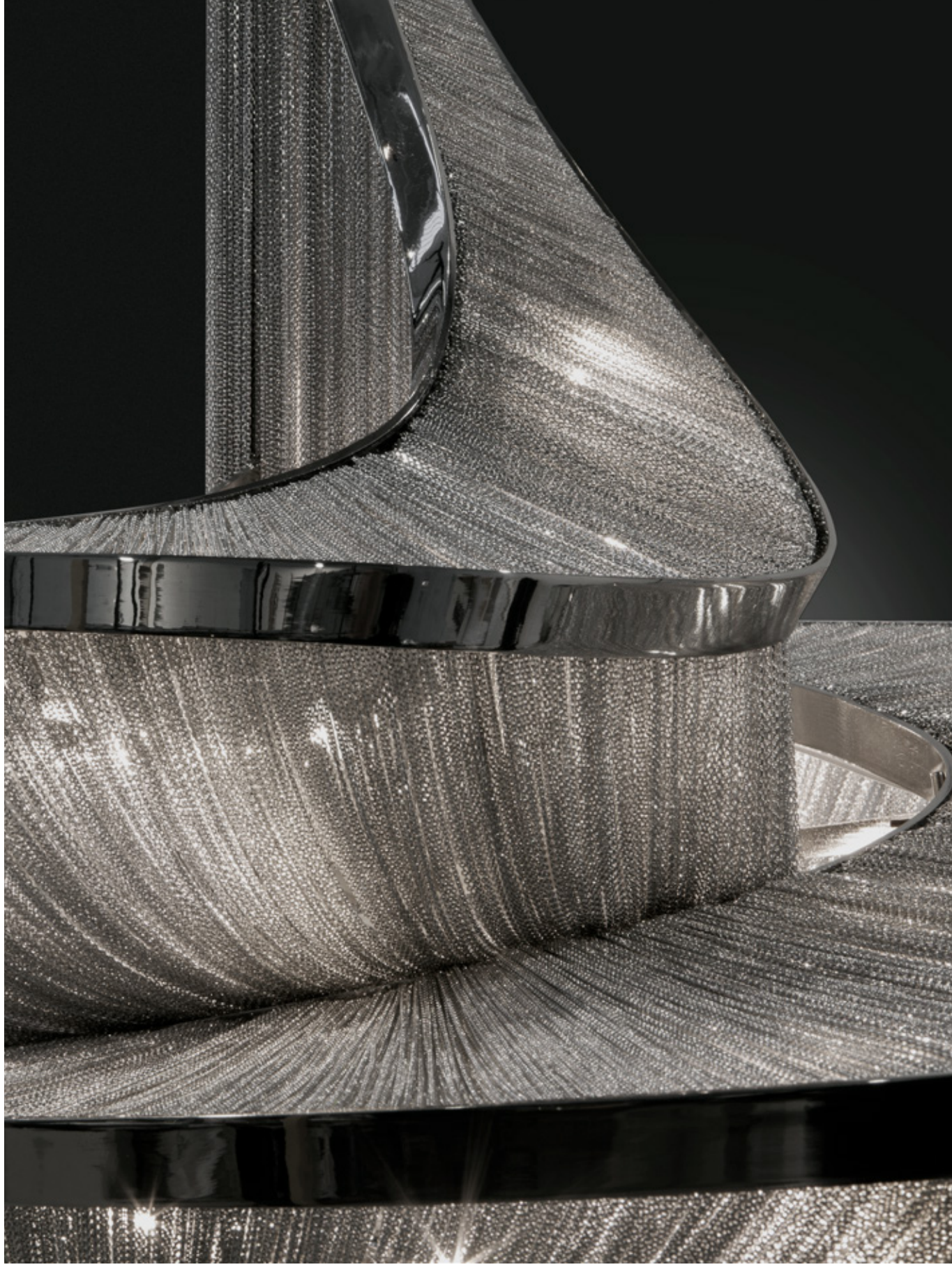


Epoque, Cyclical *Light.*

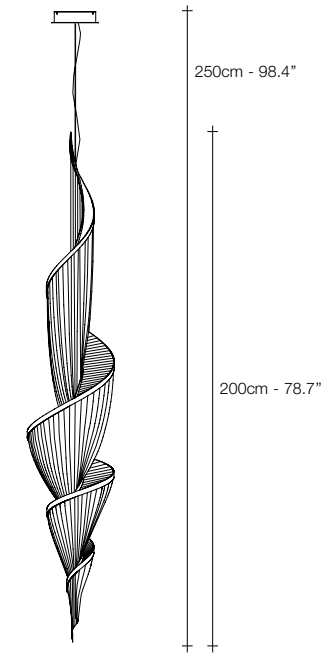
Epoque is a light sculpture designed to study chiaroscuro and volumes. The result is a modern expression of these Renaissance-era techniques in a stunning chandelier. Composed of curved, organic lines, Epoque's frame is made of flexible and durable brass metal, suspended by nickel metal chains. Two bands of metal, a central elongated section and an external band of wide arcs, allows the light to envelop a room in reflections of soft light. Epoque has attracted attention from those in the design community with discerning tastes. Epoque is available in nickel, black nickel, gold and bronze finish. Design Stefano Papi & Saviz Yaghmai.



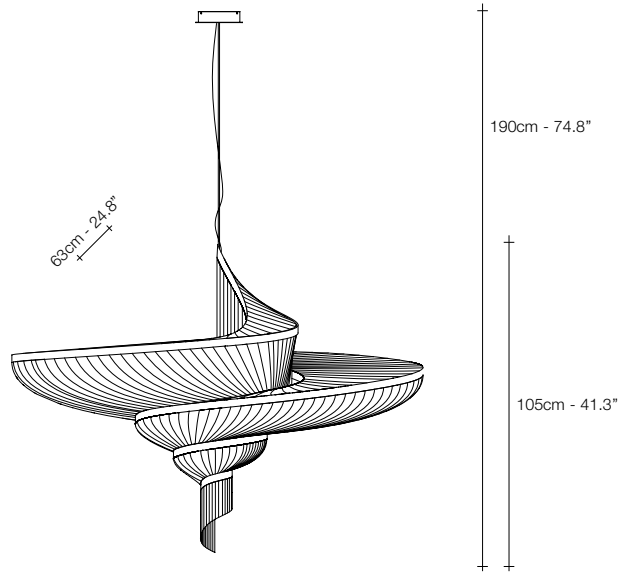








Ø35cm - 13.8"
G91S



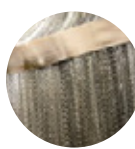
136cm - 53.5"
G90S



NICKEL





BLACK NICKEL



BRONZE

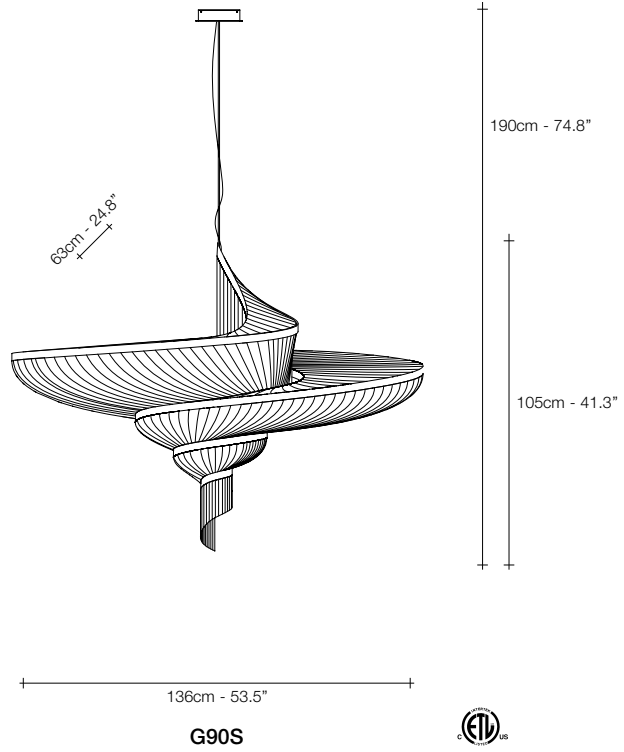
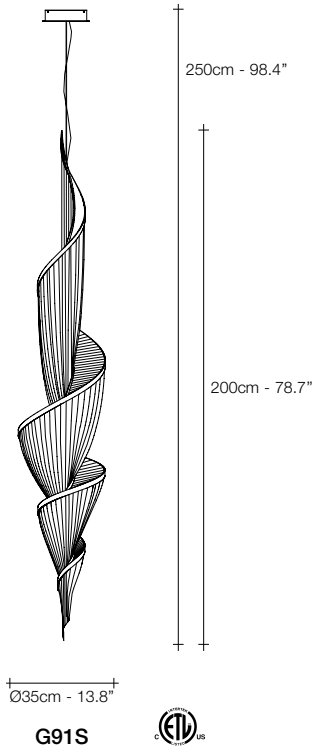


GOLD PLATED

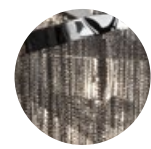
INTEGRATED LED		G91S	G90S
230V		LED 12x2.1W 2880lm	20x2.1W 4800lm
	Dimmer	0/1-10V PUSH/DALI	PUSH DALI
120V		LED 12x2.1W 2880lm	20x2.1W 4800lm
	Dimmer	0/1-10V PUSH/DALI	1-10V PWM 10-100KΩ

Epoque can be manufactured to work with 3000K or 2700K LED. Different dimming options on request

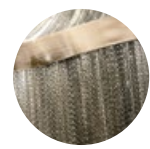




NICKEL



BLACK NICKEL



BRONZE



GOLD PLATED

	INTEGRATED LED	G91S	G90S
230V		12x2.1W 2880lm	20x2.1W 4800lm
	Dimmer	0/1-10V PUSH/DALI	PUSH DALI
120V		12x2.1W 2880lm	20x2.1W 4800lm
	Dimmer	0/1-10V PUSH/DALI	1-10V PWM 10-100KΩ

Epoque can be manufactured to work with 3000K or 2700K LED. Different dimming options on request