

# Naomi



Design: Yaacov Kaufman, 1998

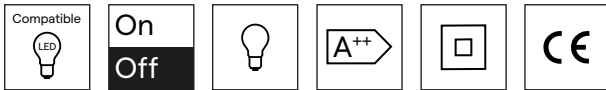


Table lamp in aluminium alloy with a base in steel and aluminium.  
Extensible and totally pivoting arm; diffuser head can rotate by 360°.

## Finishing

Standard

Special



Black soft touch  
cod. 30001ST00



Anodised aluminium  
cod. 3000800

All RAL coating and galvanic finishes available upon request

## Light emission

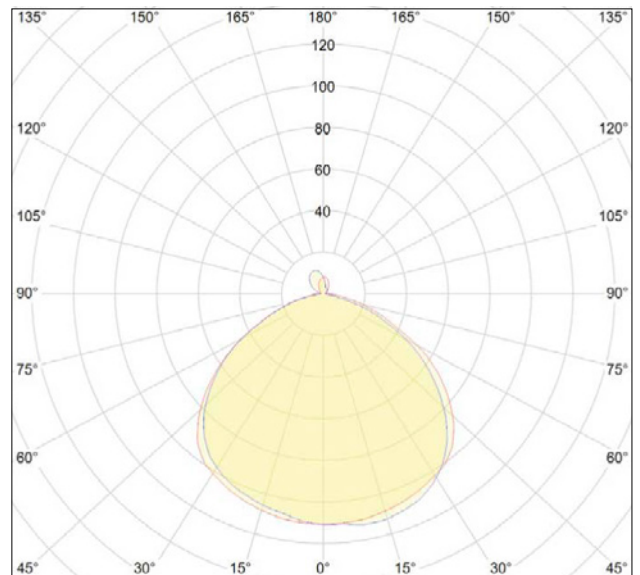
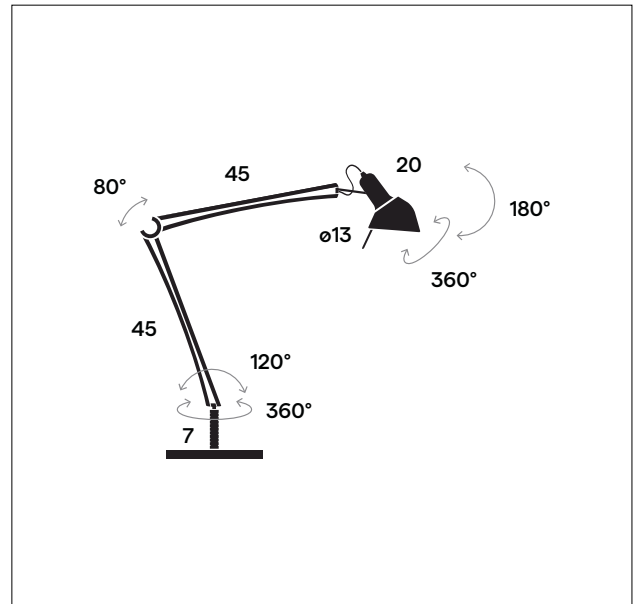
- Light emission: diffuse
- Light direction: downlight
- Light source: MAX 75W HAL - E27 / E26
- Included bulb: 8,5W LED 3000K - E27

## Electrical Facts

- Power absorption: MAX 75W
- Grid voltage: 100-240 V AC / 50-60 Hz
- Power supply: AC driven
- Dimmability: not dimmable
- Energy class: A++ (with provided LED bulb)

## Technical data

- Environment: indoor
- Placement: table
- Net weight: 0,72 Kg
- Certifications: CE
- Suggested ambient T: 25°C
- Maximum ambient T: 40°C
- Insulation class: II
- Protection class: IP20



Packaging  
cardboard box  
120 x 27 x 17 (cm)  
0,055 m<sup>3</sup>

Gross weight  
2,2 Kg