

JUNIPER®

THIN Floor Lamp

The THIN Floor Lamp features a solid brass 1/2-inch body, articulating hinge and ball joint at the lamp's cast iron base to expand and contract for an adjustable minimal lighting solution. The THIN Floor Lamp boasts a clear lens that casts a focused light beam controlled by an onboard dimming knob at the lamp's tip.

In Stock.*

*Lead time subject to change based on order and stock quantities.

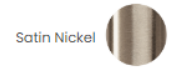
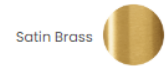
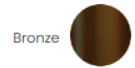
Pricing applicable to United States and Canada only.

Shipping not included for Alaska, Hawaii, and Canada.



COLOR / FINISH ▼

SATIN BRASS



LIGHT QUALITY

CRI 95+, R9 90+

LED LIFESPAN

50,000 hrs, L80

BODY MATERIAL

Solid Brass, PMMA

CERTIFICATIONS

cUL, UL, CE, Damp Location Rated, Title 24

DESIGNER

Peter Bristol

WATTAGE & LUMENS

7W, 0-730LM (Dimmable)

WEIGHT

14 lbs

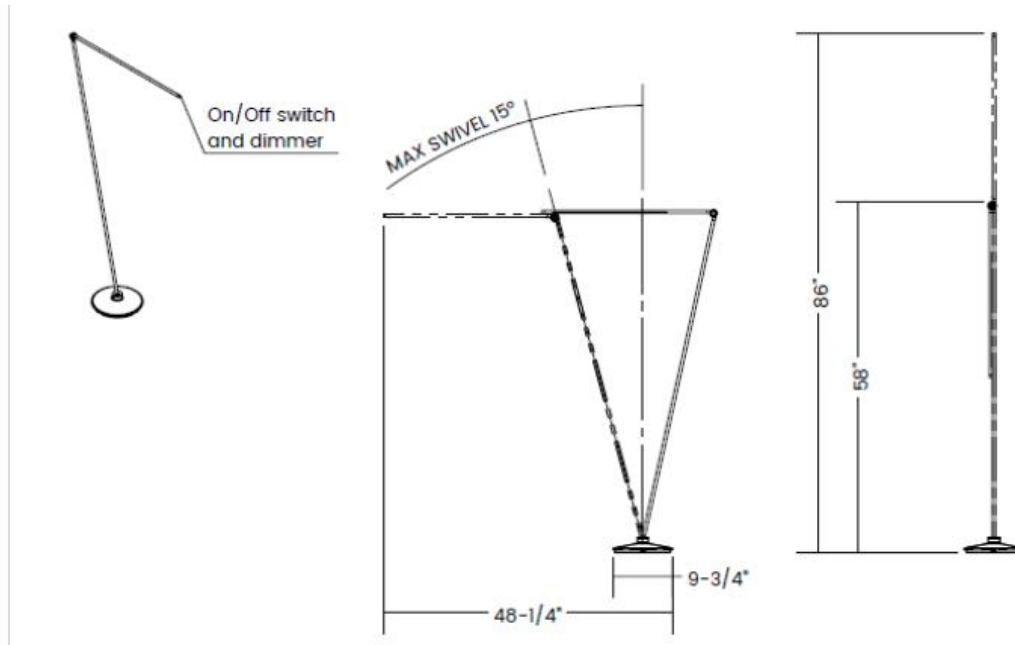
CABLING

1.5m / 5ft Power Cord, and additional 1.5m / 5ft Extension Cord

COLOR TEMPERATURE

3000K

JUNIPER®



THIN FLOOR LAMP

MORE INFORMATION & OPTIONS

LIGHT QUALITY

0 CRI 95+, R9 90+ 32.00125

LED LIFESPAN

1 50,000 hrs, L80 32.00125

BODY MATERIAL

2 Solid Brass, PMMA
32.00125

CERTIFICATIONS

3 cUL, UL, CE, Damp
Location Rated, Title 24
32.00125

DESIGNER

4 Peter Bristol 32.00125

WATTAGE & LUMENS

5 7W, 0-730LM (Dimmable)
44.50125

WEIGHT

6 14 lbs 44.50125

CABLING

7 1.5m / 5ft Power Cord,
and additional 1.5m / 5ft
Extension Cord 44.50125

COLOR TEMPERATURE

8 3000K 44.50125