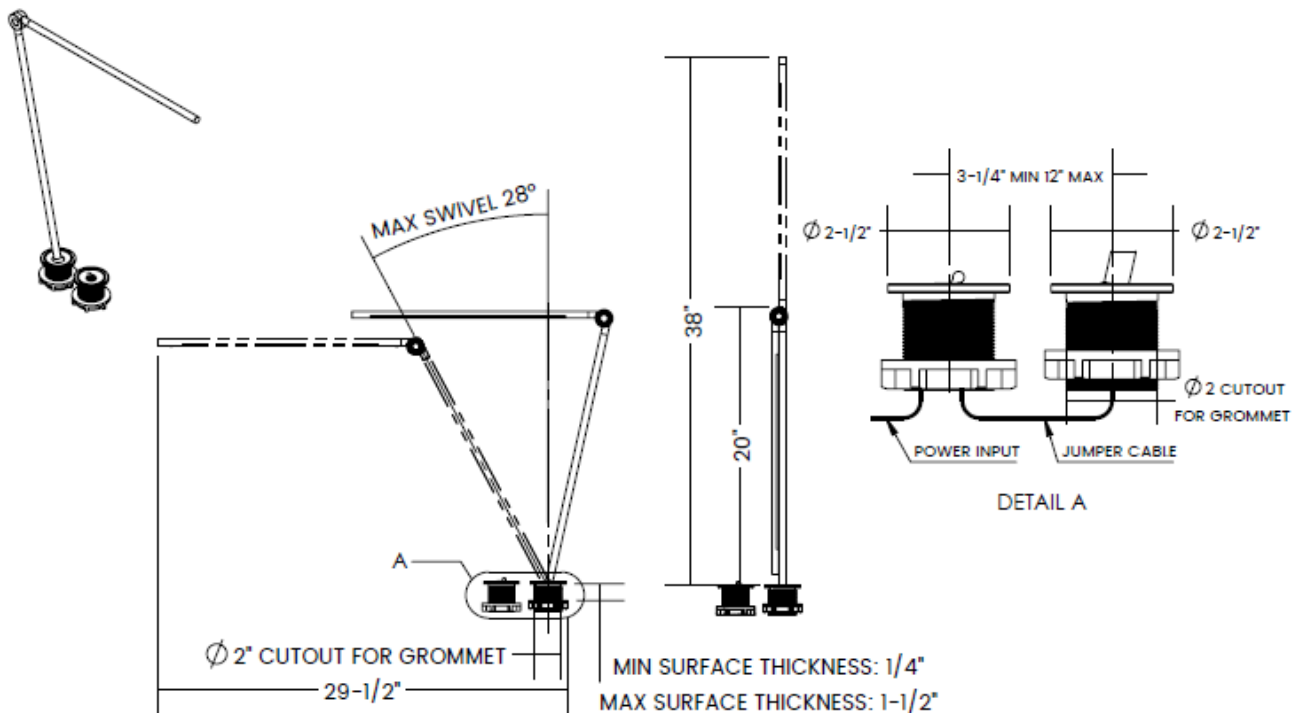


JUNIPER®

THIN Task Lamp with Desk Inset

The THIN Task Lamp with Desk Inset features a precision-machined solid brass body and desk-integrated grommet to reduce its footprint to the bare minimum. The LED lamp extends and contracts due to its ball joint at its base and articulating hinge. The onboard dimmer knob at the end of the fixture allows for adjustability through the task lamp's frosted lens and provides a functional lighting solution.



THIN Task Lamp with Desk Inset

COLOR / FINISH ▼

SATIN BRASS

English Bronze



Black Oxide



Satin Brass



Satin Nickel



SIZE ▼

THIN T (TALL)

THIN S (Standard)



THIN T (Tall)



LIGHT QUALITY

CRI 95+, R9 90+

LED LIFESPAN

50,000 hrs, L80

BODY MATERIAL

Solid Brass, PMMA

CERTIFICATIONS

cUL, UL, CE, Damp Location Rated, Title 24

DESIGNER

Peter Bristol

WATTAGE & LUMENS

S – 6W, 0–600LM (Dimmable) T – 7W, 0–850LM (Dimmable)

WEIGHT

2 lbs

MOUNTING

2" diameter hole required in table/desk Maximum table/desk thickness 1.5". At least 2" clearance

COLOR TEMPERATURE

3000K