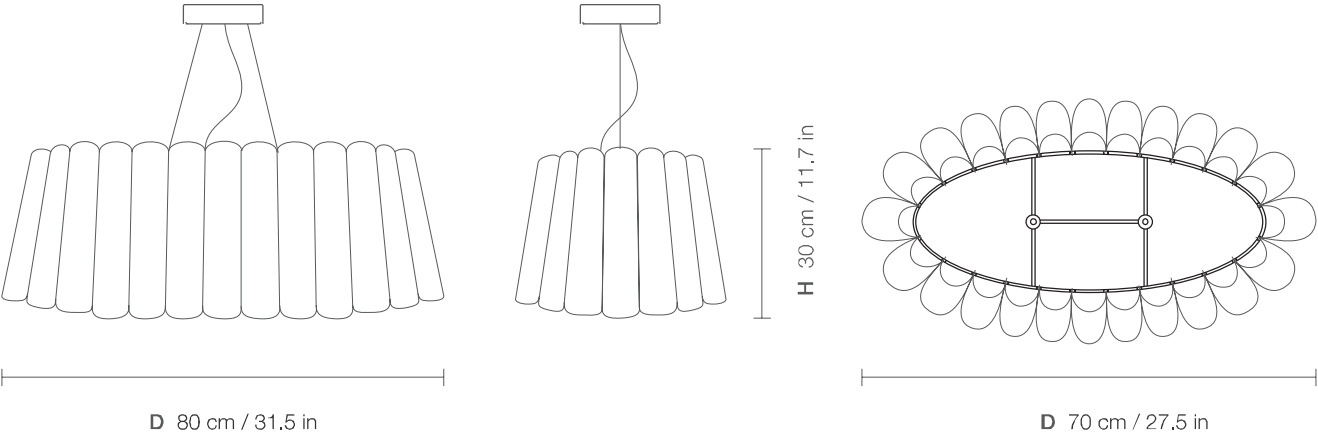
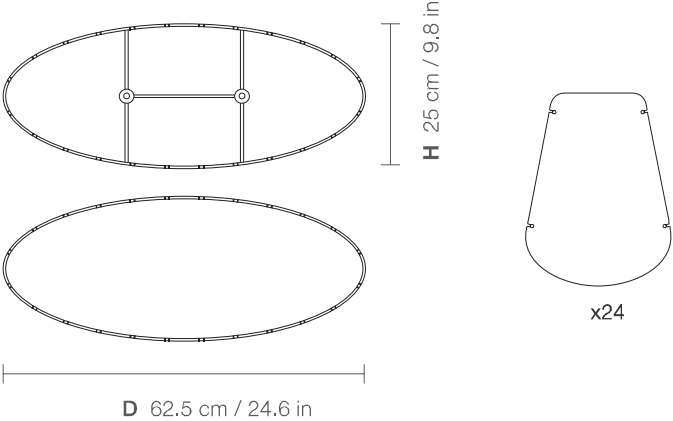


# RENATA 80 OVAL

## DIMENSIONS



## PARTS



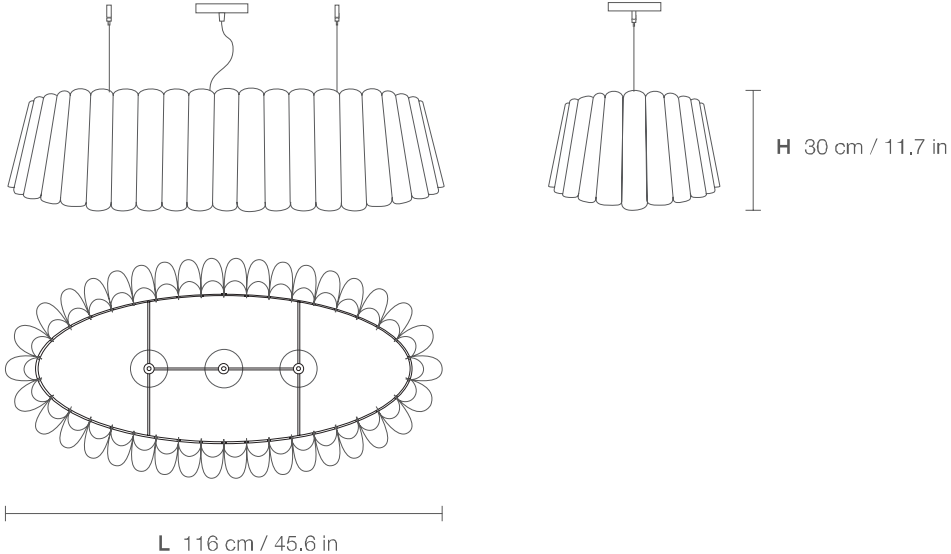
ELECTRICAL KIT

- Base plate (x1)
- Backplate (x1)
- Bulb socket (x1)
- Screws (x2)
- Nuts (x2)
- Washers (x2)
- Bulb sockets (x2)
- Cables (2m x2)
- Cables (2m x2)

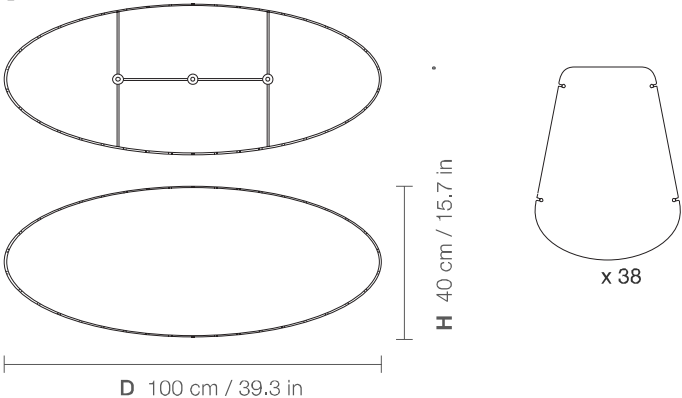
CODE	REO80
TYPE	Pendant Lamp
MOUNTING	Ceiling rose and steel cord includes
CORD LENGHT	2 m. / Textile cable
BULB	100 watts (max) / Bulb Socket E26 / E27 x 2
WEIGHT	2.6 kg. / 5.73 lbs.

# RENATA 116 OVAL










DIMENSIONS



PARTS



ELECTRICAL KIT

-  x 1
-  x 1
-  x 2
-  x 3
-  x 2
-  x 2
-  x 2
-  2 m x 2
-  2 m

CODE	REO116
TYPE	Pendant Lamp
MOUNTING	Ceiling rose and steel cord includes
CORD LENGHT	2 m. / Textile cable
BULB	100 watts (max) / Bulb Socket E26 / E27 x 3
WEIGHT	3.76 kg. / 8.28 lbs.