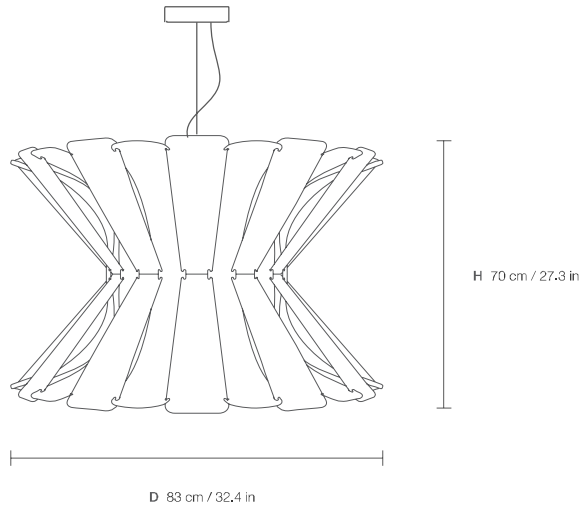
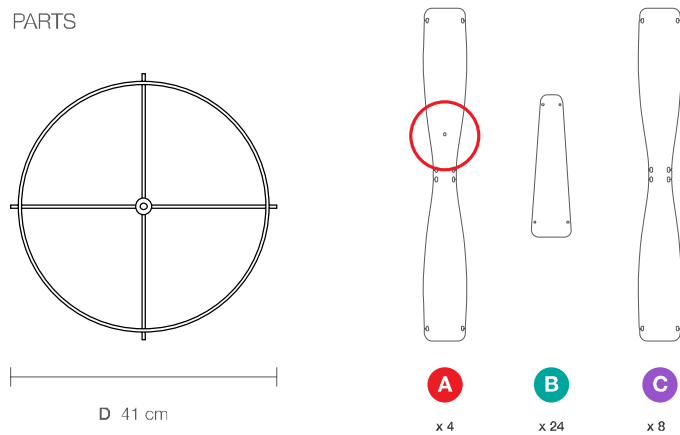


SIMONA 83

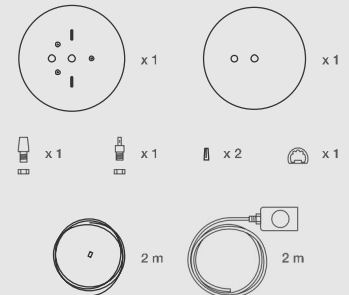
DIMENSIONS



PARTS



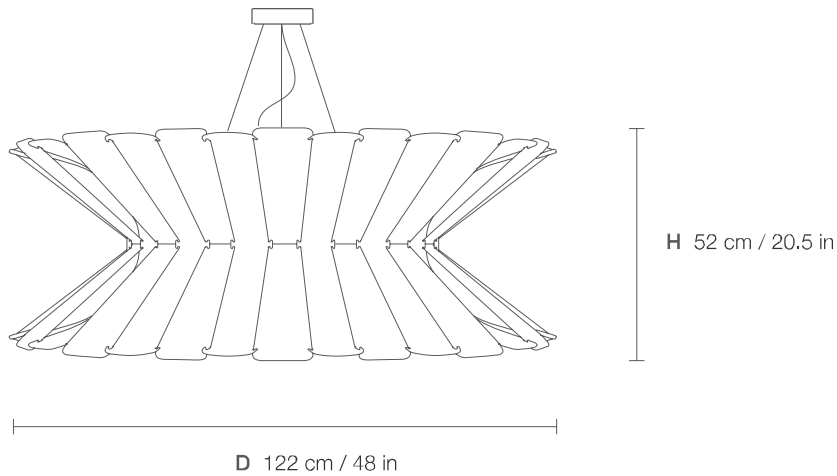
ELECTRICAL KIT



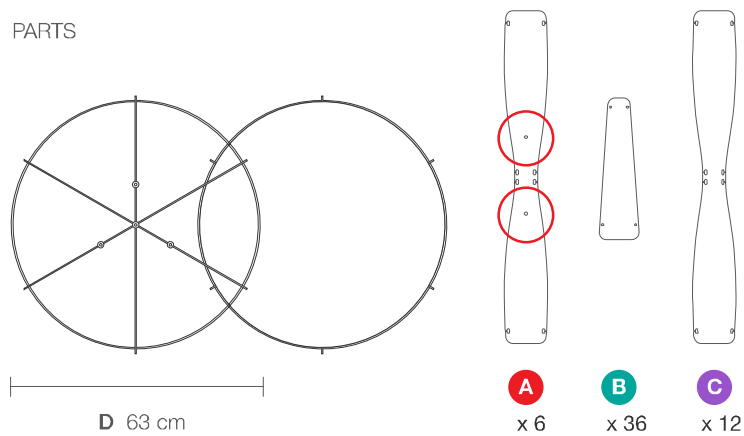
CODE	SI83
TYPE	Pendant Lamp
MOUNTING	Ceiling rose and steel cord includes
CORD LENGTH	2 m. / Textile cable
BULB	100 watts (max) / Bulb Socket E26 / E27 x 1
WEIGHT	3.46 kg. / 7.62 lbs.

SIMONA 122

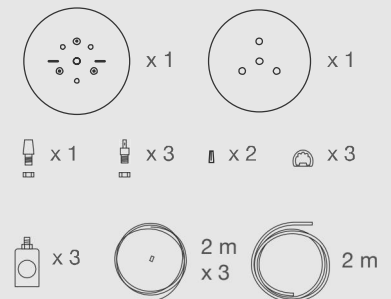
DIMENSIONS



PARTS



ELECTRICAL KIT



CODE	SI122
TYPE	Pendant Lamp
MOUNTING	Ceiling rose and steel cord includes
CORD LENGTH	2 m. / Textile cable
BULB	100 watts (max) / Bulb Socket E26 / E27 x 3
WEIGHT	3.92 kg. / 8.64 lbs.